

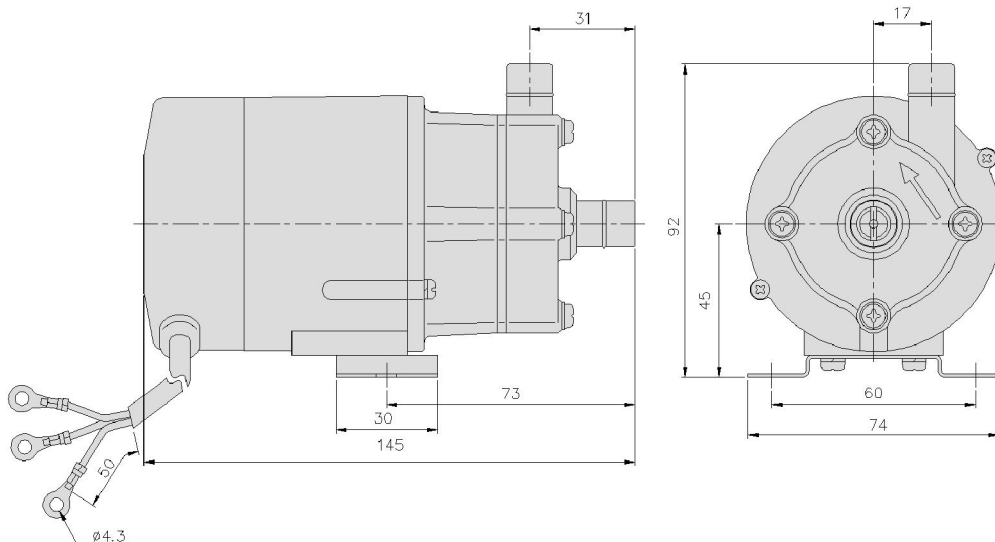
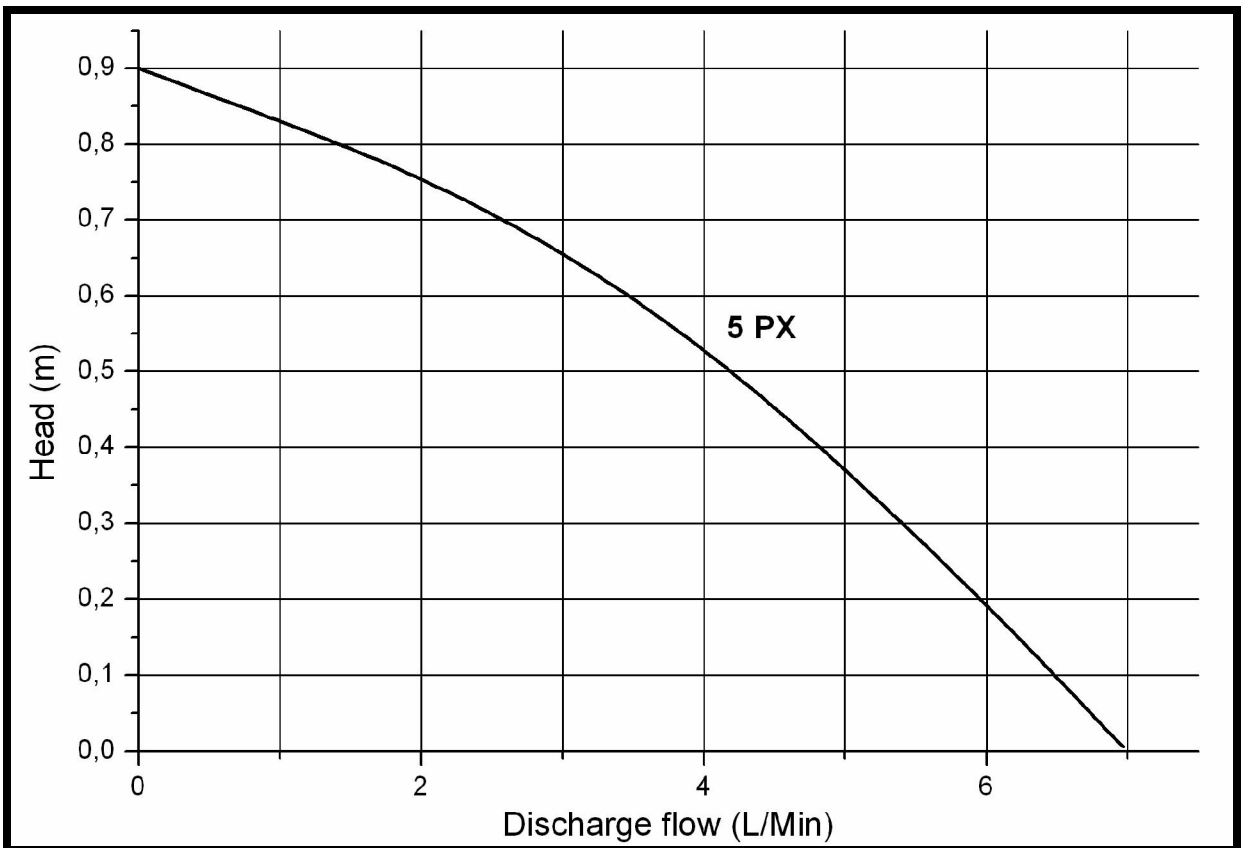
## Technical Features

**5PX**

- Pumps come close coupled to standard 2.5 W, 240 Volt motor.
- Non-Metallic wetted parts: Polypropylene Casing with Viton front casing oring. (option: EPDM Oring).
- Liquid Temperatures upto 70°C.
- Discharge and suction ports are 12mm hose (option: BSP threaded).



Model	5 PX
Impeller size	33 mm
Rated speed	2500 rpm



Dimensions (mm)

sealless magnetic drive