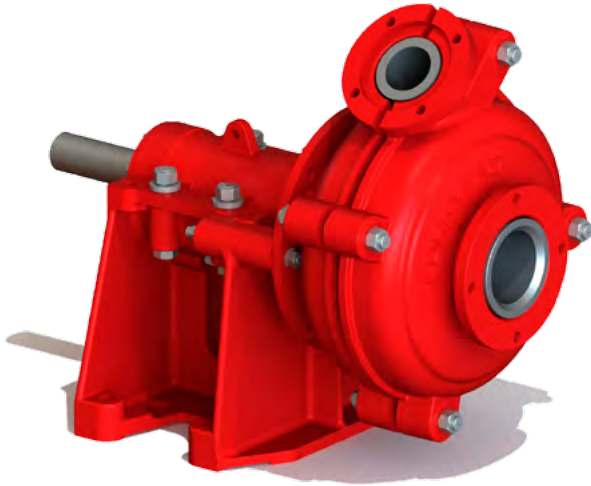
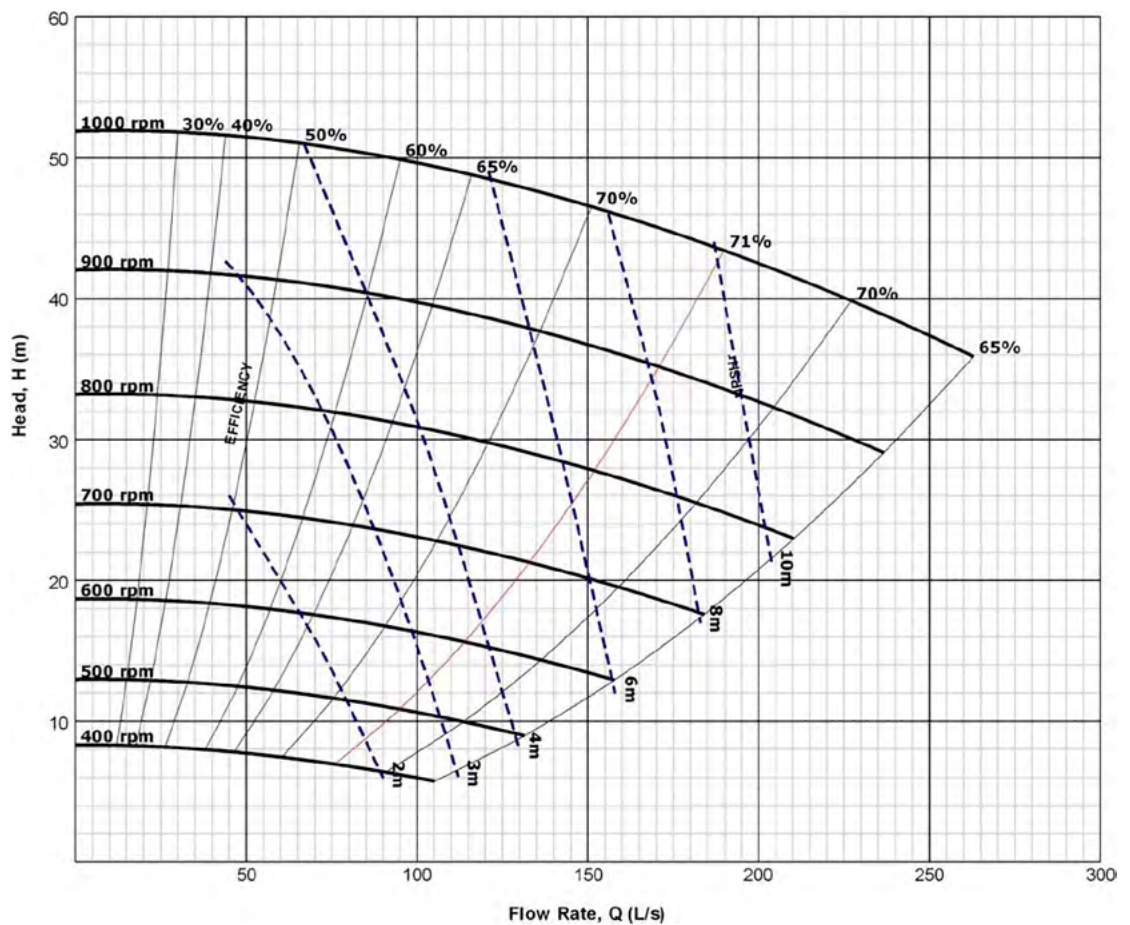


Standard Series

SS8x6-201145



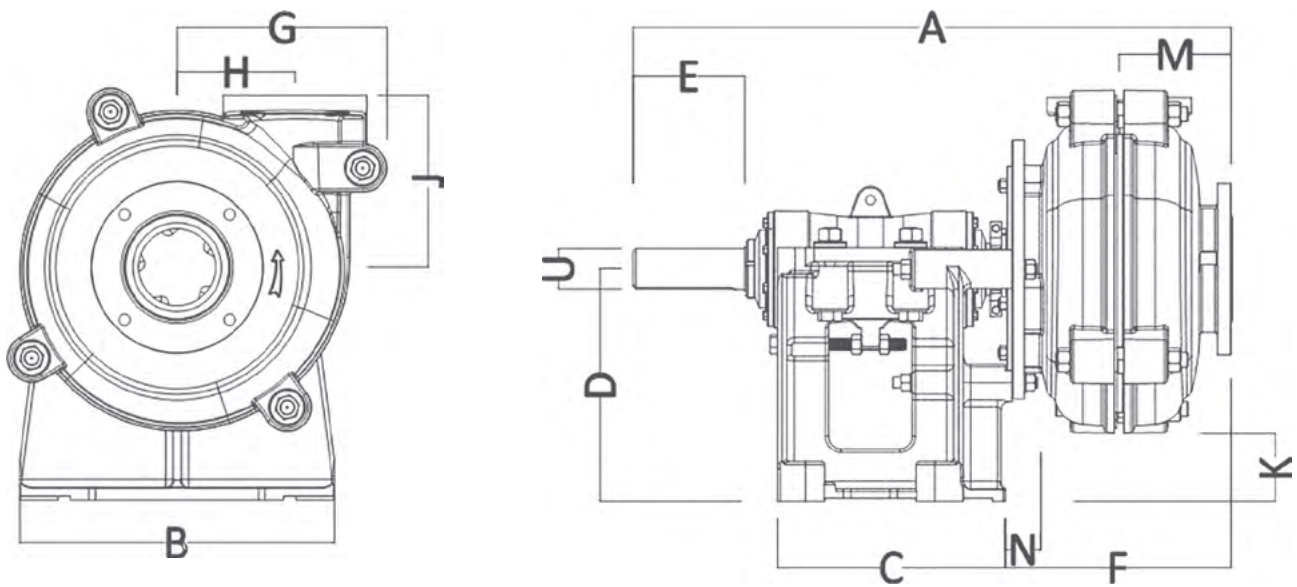
Suction	203 mm (8")
Discharge	152 mm (6")
Maximum RPM	1000
Sealing system	Expeller
Impeller material	Rubber
Liner material	Rubber
Throat bush	Rubber
Maximum motor power	260 kW
Weight-Bare shaft pump	1390 kg



NOTE This information is for guidance/reference only. For application specific drawings and curves, please contact your nearest authorised distributor at slurrypro.com

Standard Series

SS8x6-201145



A	B	C	D	E	F	G	H
1506.98	857	635	610.11	278.89	538.99	550.93	318.01
J	K	L	M	N	U	Key size	
459.99	89.92	0	292.1	65.02	100	28 x 16	

All values in millimetres (mm)