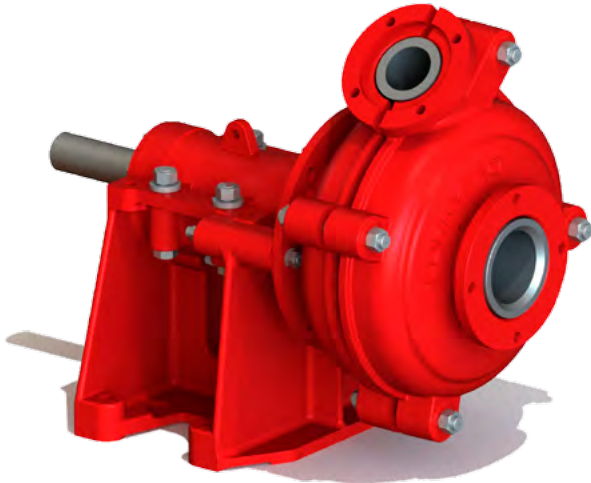
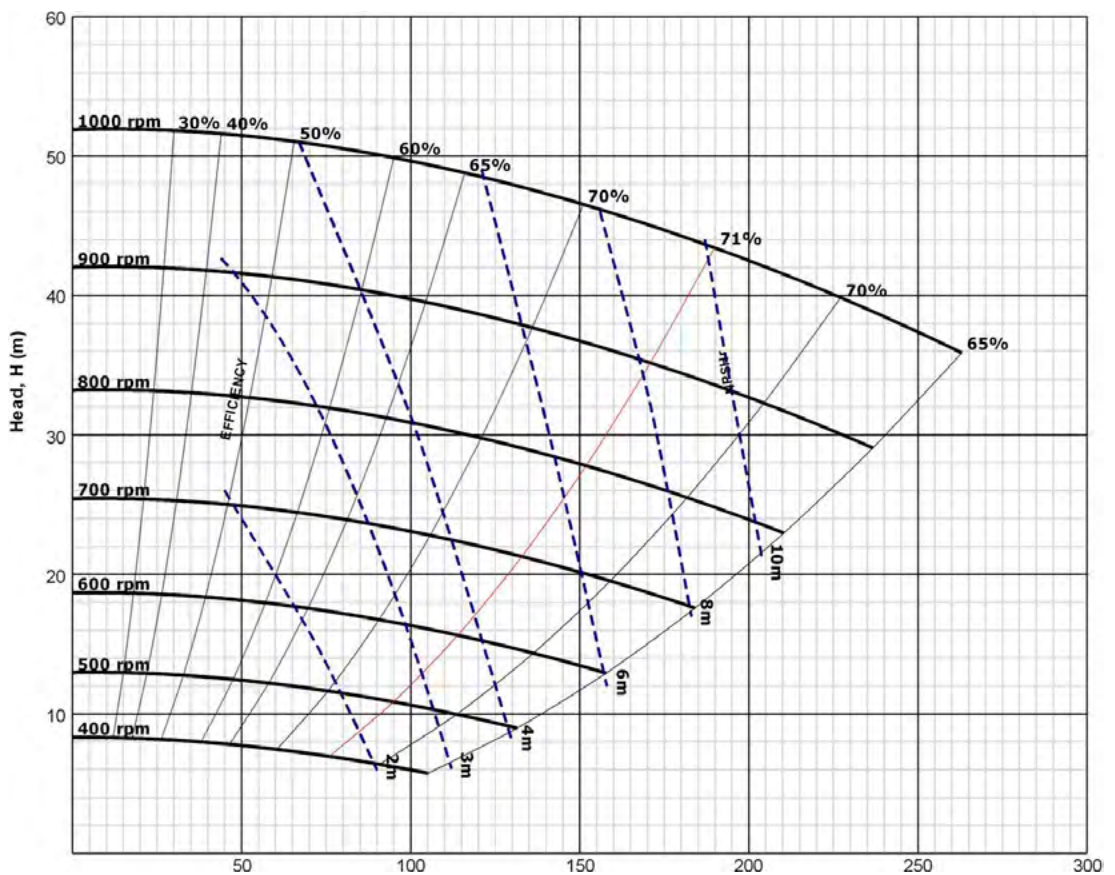


Standard Series

SS8x6-01110



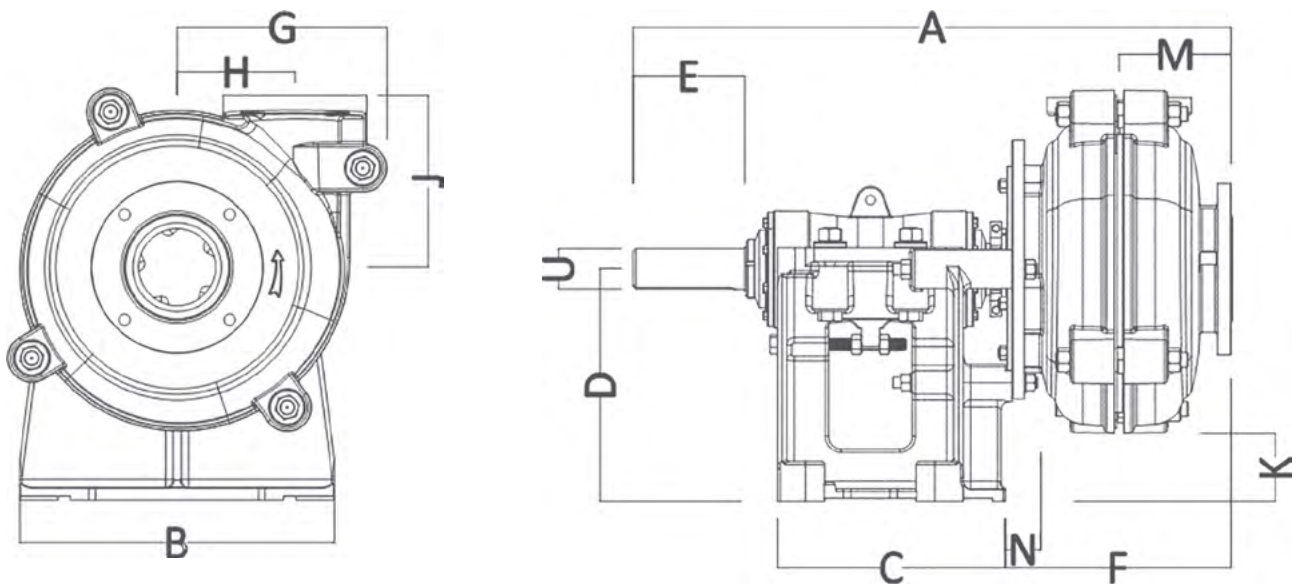
Suction	203 mm (8")
Discharge	152 mm (6")
Maximum RPM	1000
Sealing system	Standard gland packing
Liner material	Rubber
Impeller material	Rubber
Throat bush	Rubber
Maximum motor power	260 kW
Weight-Bare shaft pump	1390 kg



NOTE This information is for guidance/reference only. For application specific drawings and curves, please contact your nearest authorised distributor at slurrypro.com

Standard Series

SS8x6-01110



A	B	C	D	E	F	G	H
1506.98	857	635	610.11	278.89	538.99	550.93	318.01
J	K	L	M	N	U	Key size	
459.99	89.92	0	292.1	65.02	100	28 x 16	

All values in millimetres (mm)