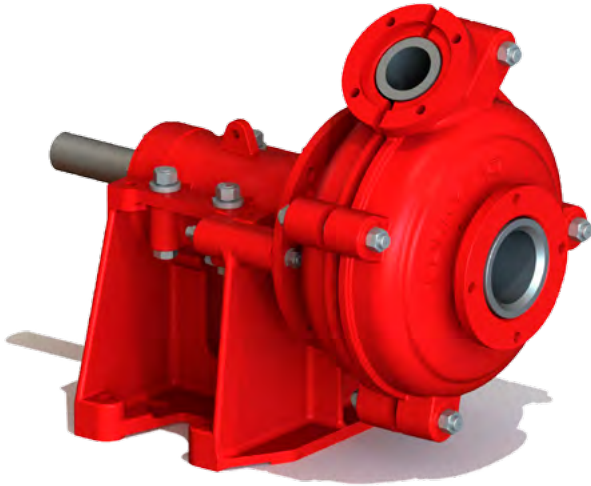
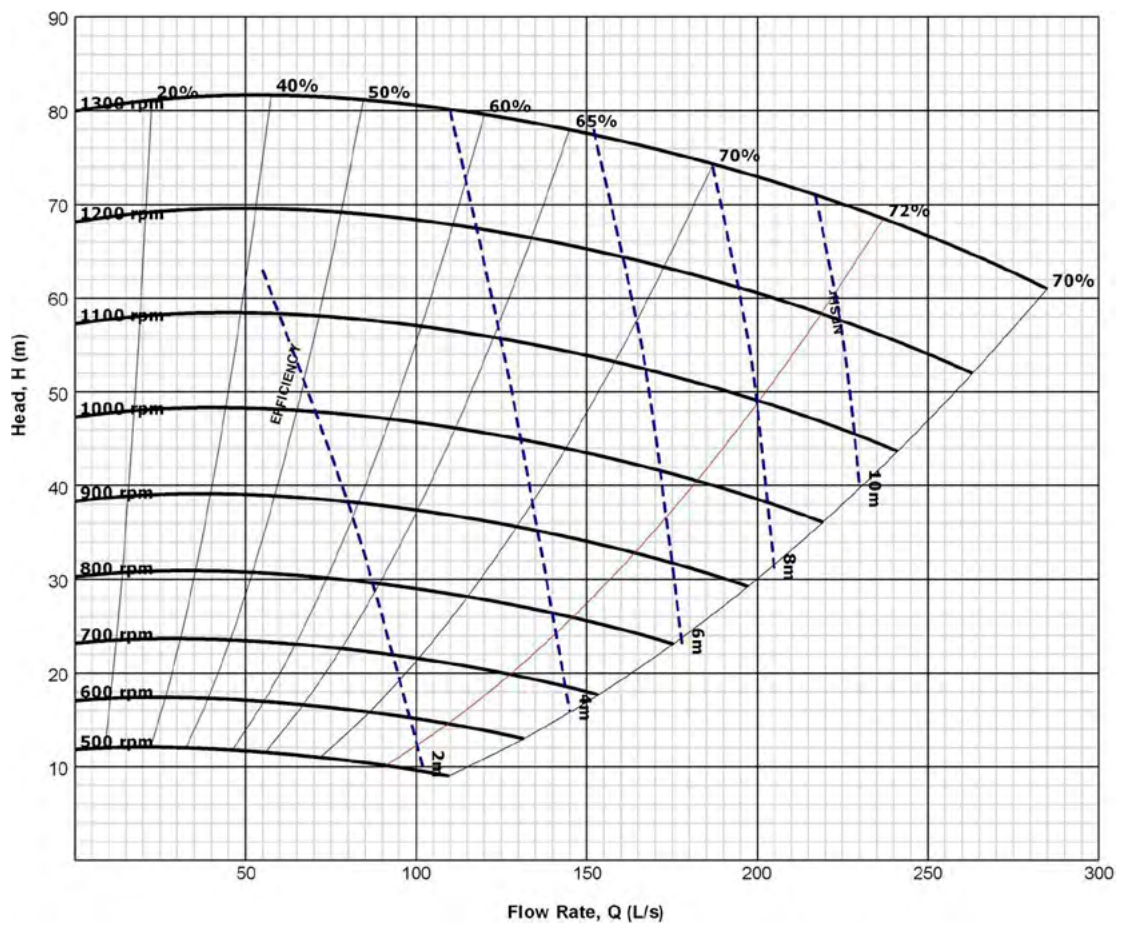


Standard Series

SS8x6-003330



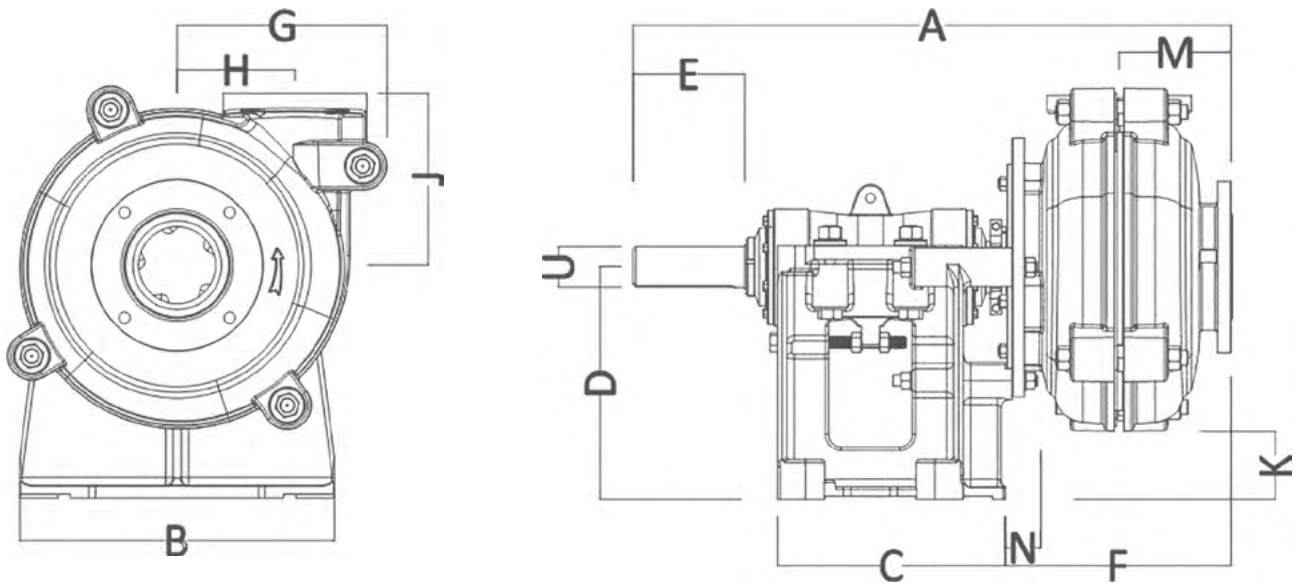
| | |
|-------------------------------|------------------------|
| Suction | 203 mm (8") |
| Discharge | 152 mm (6") |
| Maximum RPM | 1300 |
| Sealing system | Standard gland packing |
| Impeller material | High chrome |
| Liner material | High chrome |
| Throat bush | High chrome |
| Maximum motor power | 120 kW |
| Weight-Bare shaft pump | 1497 kg |



NOTE This information is for guidance/reference only. For application specific drawings and curves, please contact your nearest authorised distributor at slurrypro.com

Standard Series

SS8x6-003330



| A | B | C | D | E | F | G | H |
|--------|-----|-------|-------|-----|-----|----------|--------|
| 1302 | 622 | 448.1 | 456.9 | 222 | 557 | 550.93 | 318.01 |
| J | K | L | M | N | U | Key size | |
| 459.99 | 0 | 62 | 292.1 | 82 | 80 | 22 x 14 | |

All values in millimetres (mm)