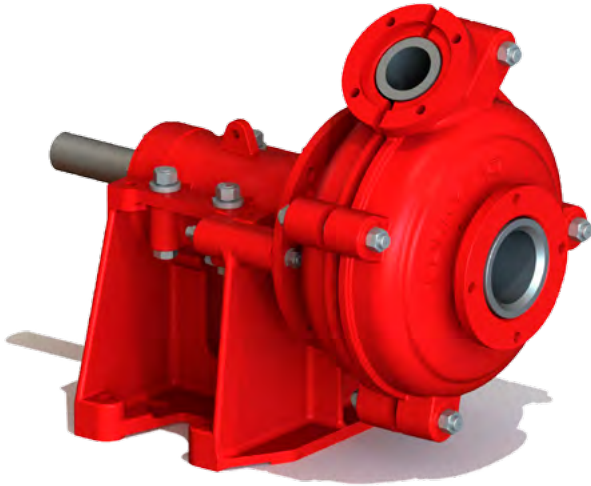
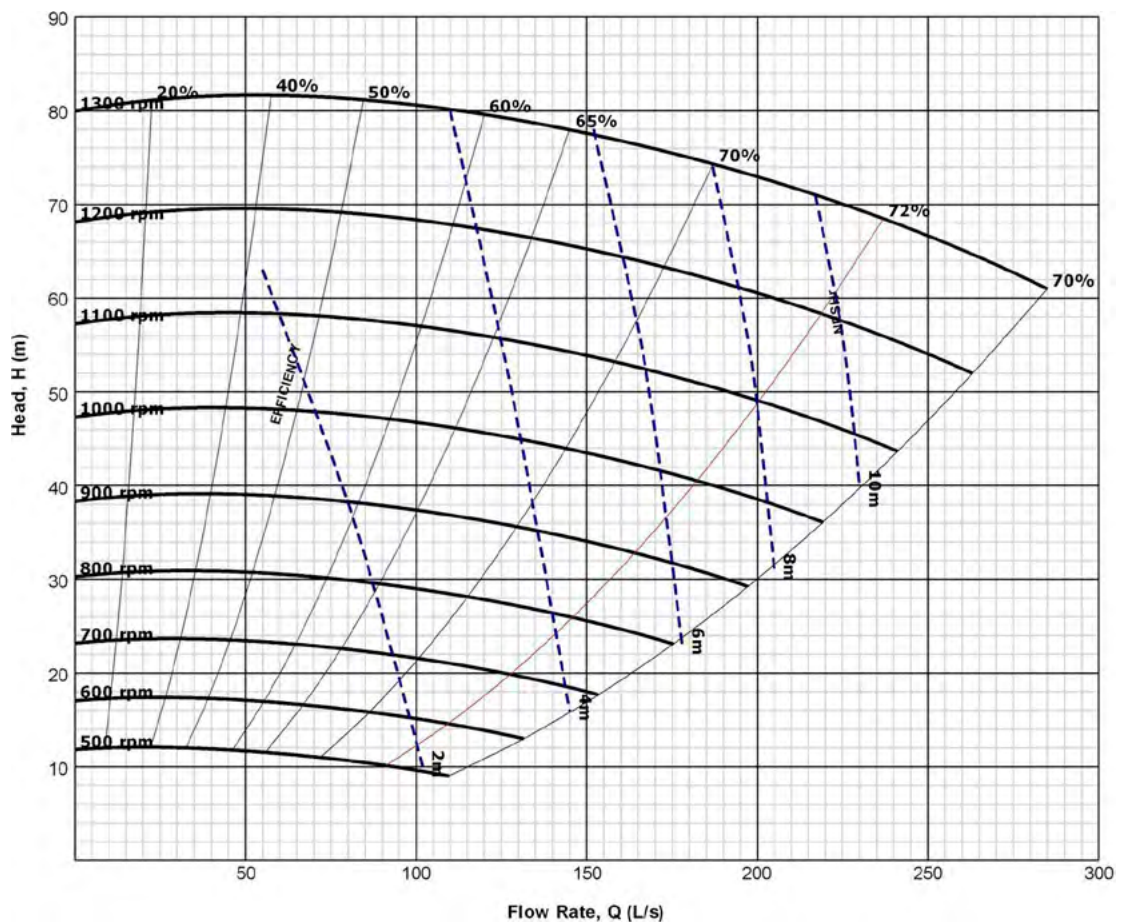


Standard Series

SS8x6-000130



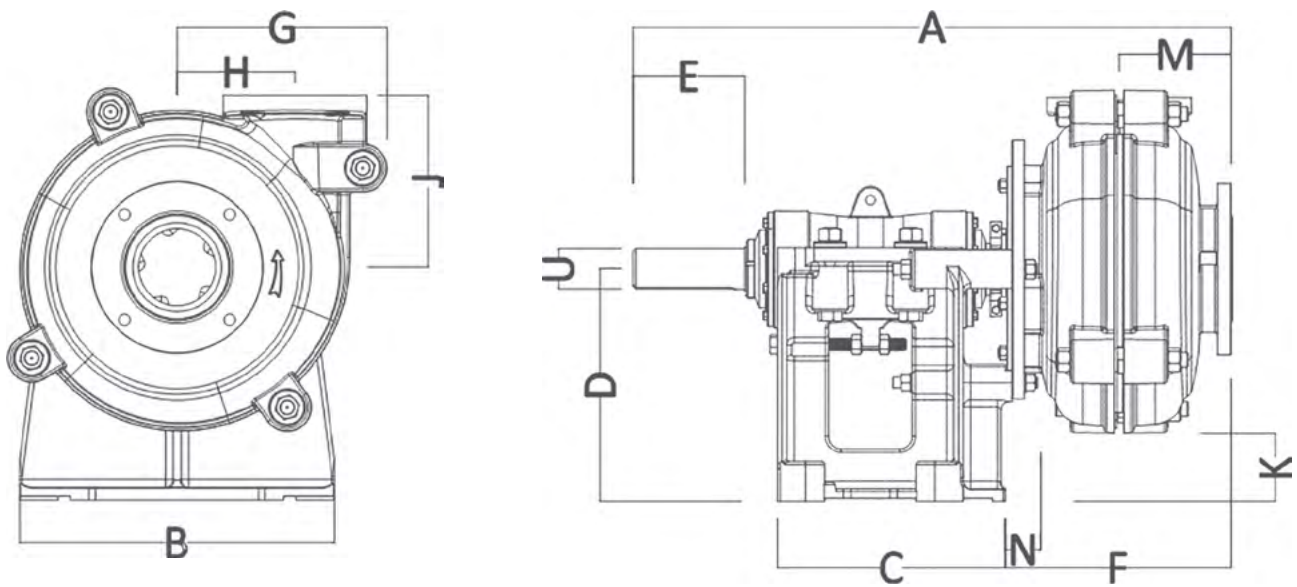
Suction	203 mm (8")
Discharge	152 mm (6")
Maximum RPM	1300
Sealing system	Standard gland packing
Impeller material	High chrome
Liner material	Rubber
Throat bush	Rubber
Maximum motor power	120 kW
Weight-Bare shaft pump	2733 kg



NOTE This information is for guidance/reference only. For application specific drawings and curves, please contact your nearest authorised distributor at slurrypro.com

Standard Series

SS8x6-000130



A	B	C	D	E	F	G	H
1302	622	448	457	222	557	551	318
J	K	L	M	N	U	Key size	
460	0	62	292	82	80	22 x 14	

All values in millimetres (mm)