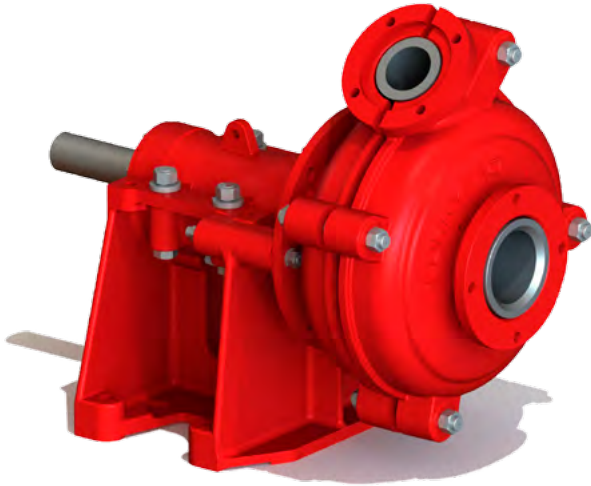
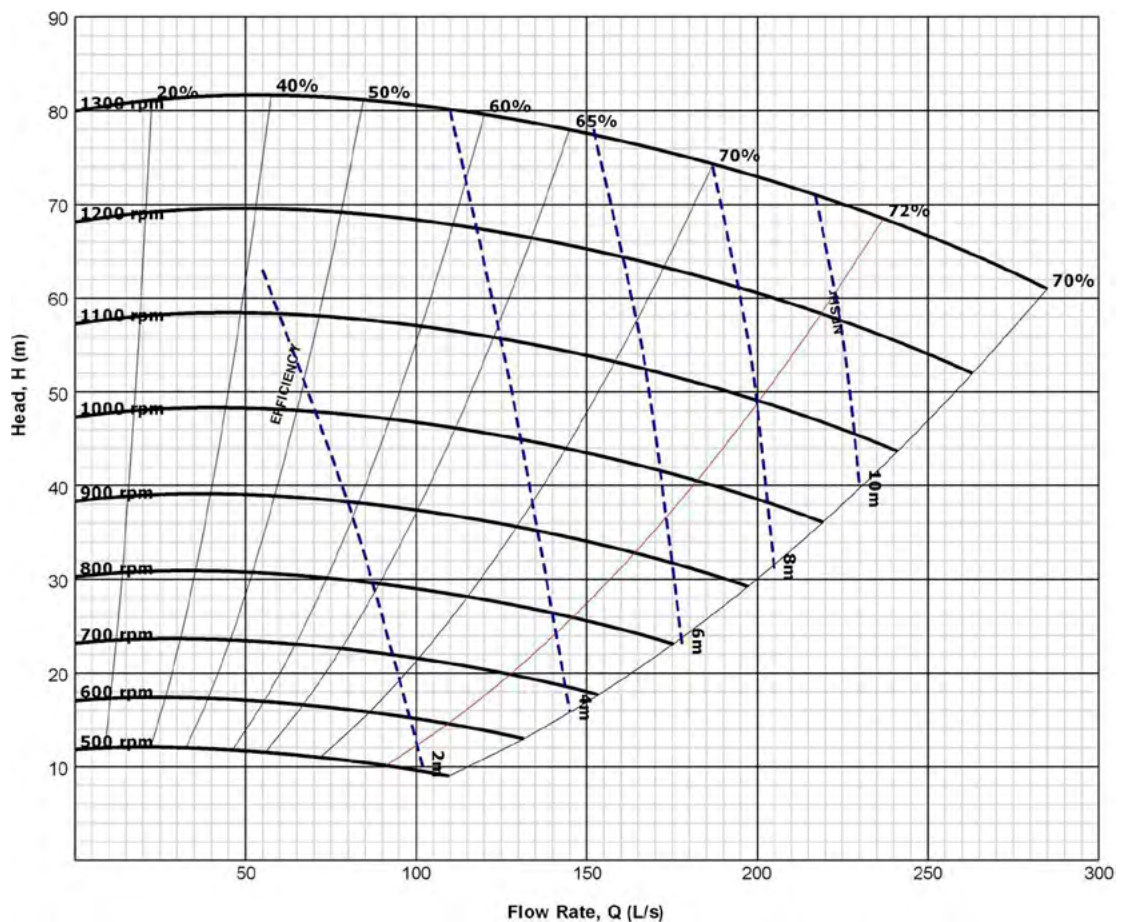


# Standard Series

## SS8x6-000030



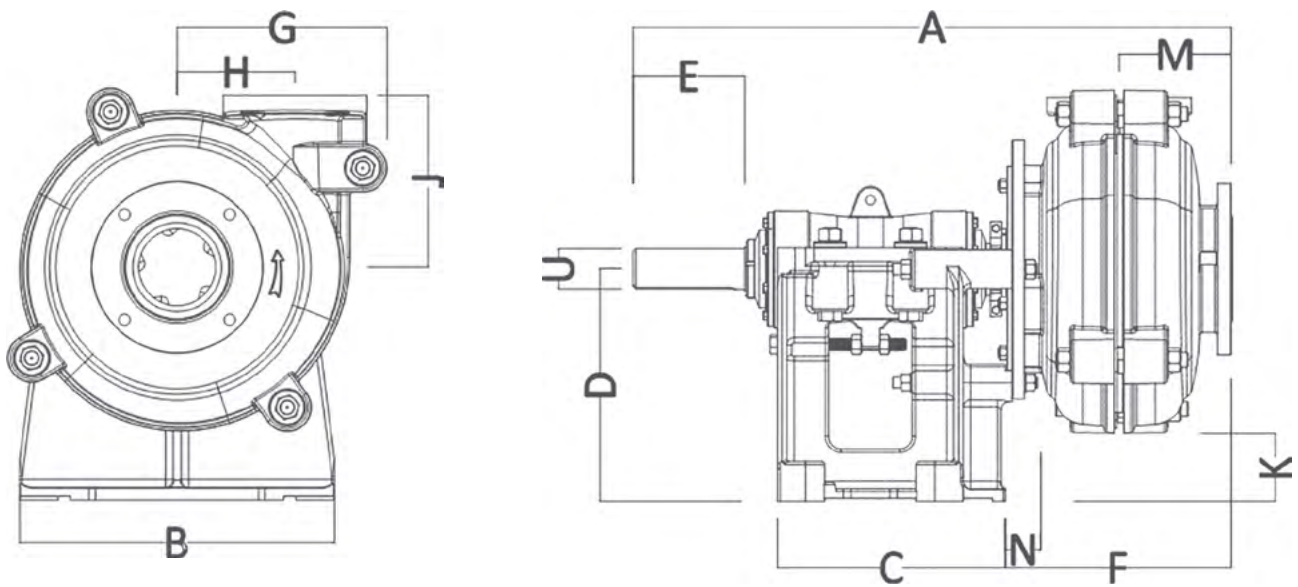
<b>Suction</b>	203 mm (8")
<b>Discharge</b>	152 mm (6")
<b>Maximum RPM</b>	1300
<b>Sealing system</b>	Standard gland packing
<b>Impeller material</b>	High chrome
<b>Liner material</b>	High chrome
<b>Throat bush</b>	High chrome
<b>Maximum motor power</b>	120 kW
<b>Weight-Bare shaft pump</b>	2733 kg



**NOTE** This information is for guidance/reference only. For application specific drawings and curves, please contact your nearest authorised distributor at [slurrypro.com](http://slurrypro.com)

## Standard Series

### SS8x6-000030



A	B	C	D	E	F	G	H
1302	622	448	457	222	557	551	318
J	K	L	M	N	U	Key size	
460	0	62	292	82	80	22 x 14	

All values in millimetres (mm)