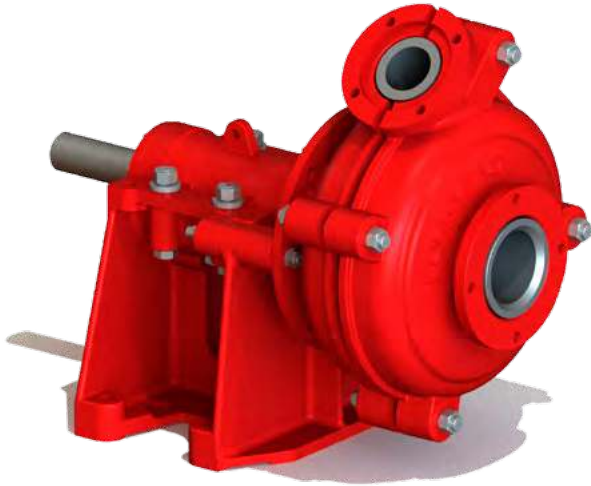
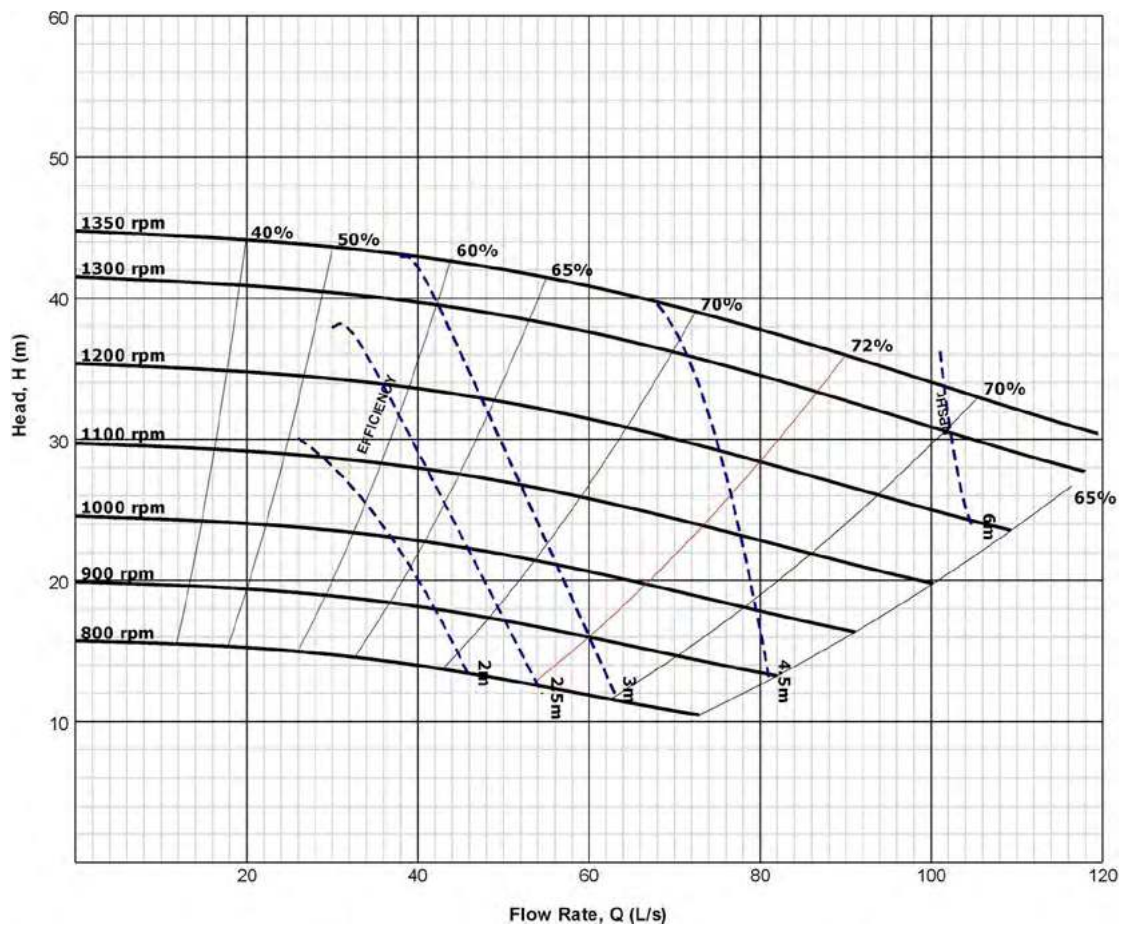


Standard Series SS6x4-20BB30



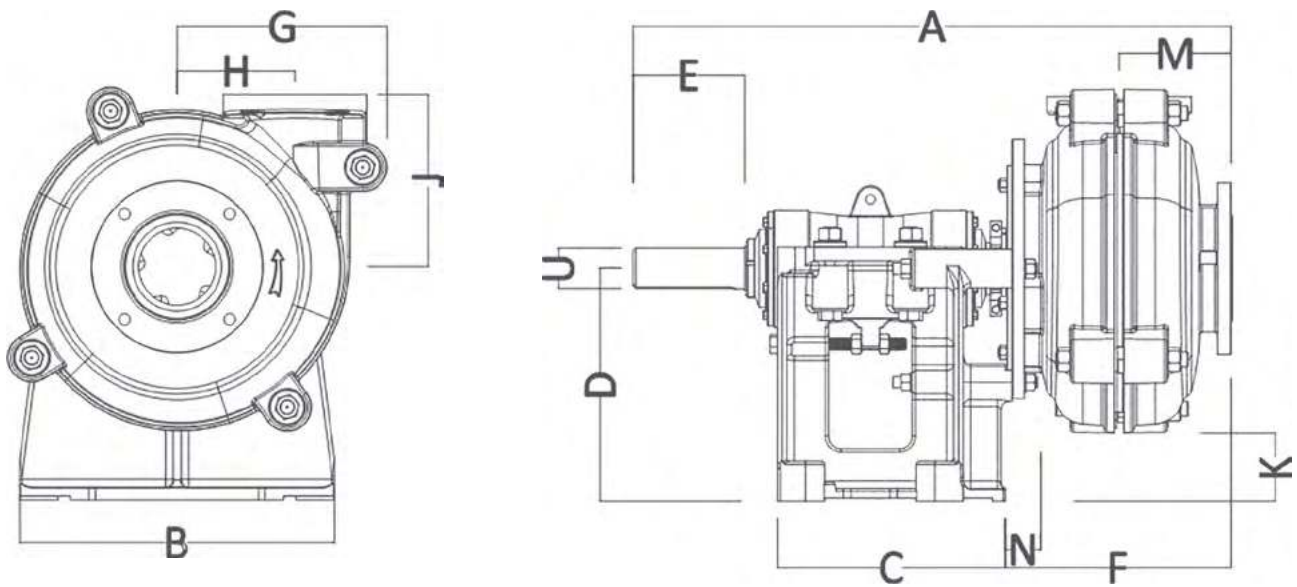
Suction	152 mm (6")
Discharge	101 mm (4")
Maximum RPM	1350
Sealing system	Expeller
Impeller material	Urethane
Liner material	Urethane
Throat bush	Urethane
Maximum motor power	120 kW
WeightBare shaft pump	635 kg



NOTE This information is for guidance/reference only. For application specific drawings and curves, please contact your nearest authorised distributor at slurrypro.com

Standard Series

SS6x4-20BB30



A	D	E	F	G	H		
1178.05	622.05	448.06	456.95	222	433.07	405.89	229.11

J	K	L	M	N	U	Key size
338.07	137.92	0	218.95	75.18	80	22 x 14

All values in millimetres (mm)