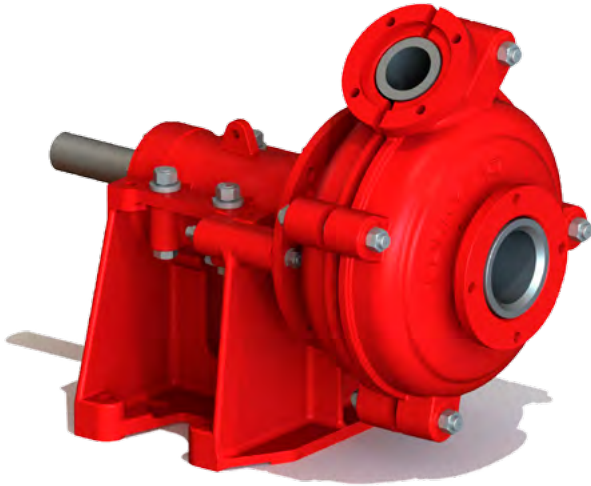
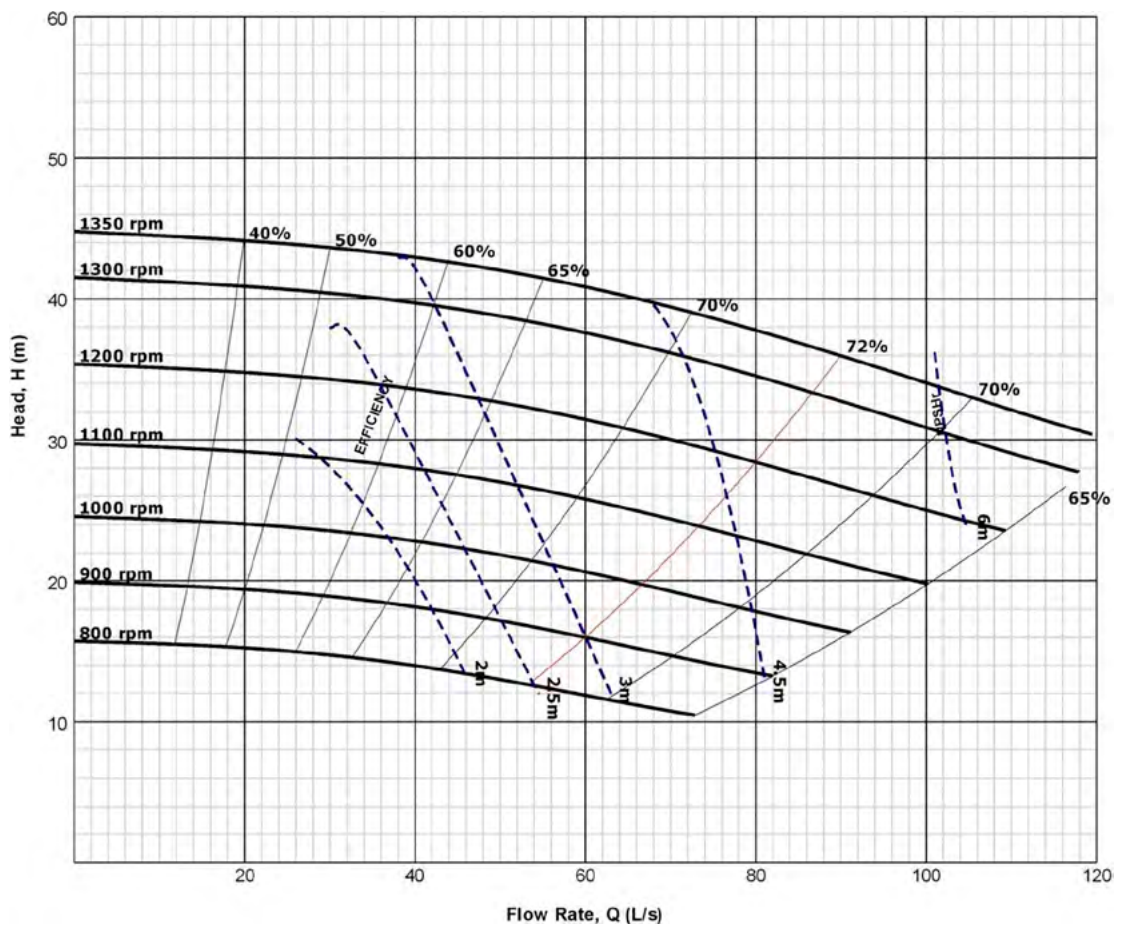


Standard Series SS6x4-401120



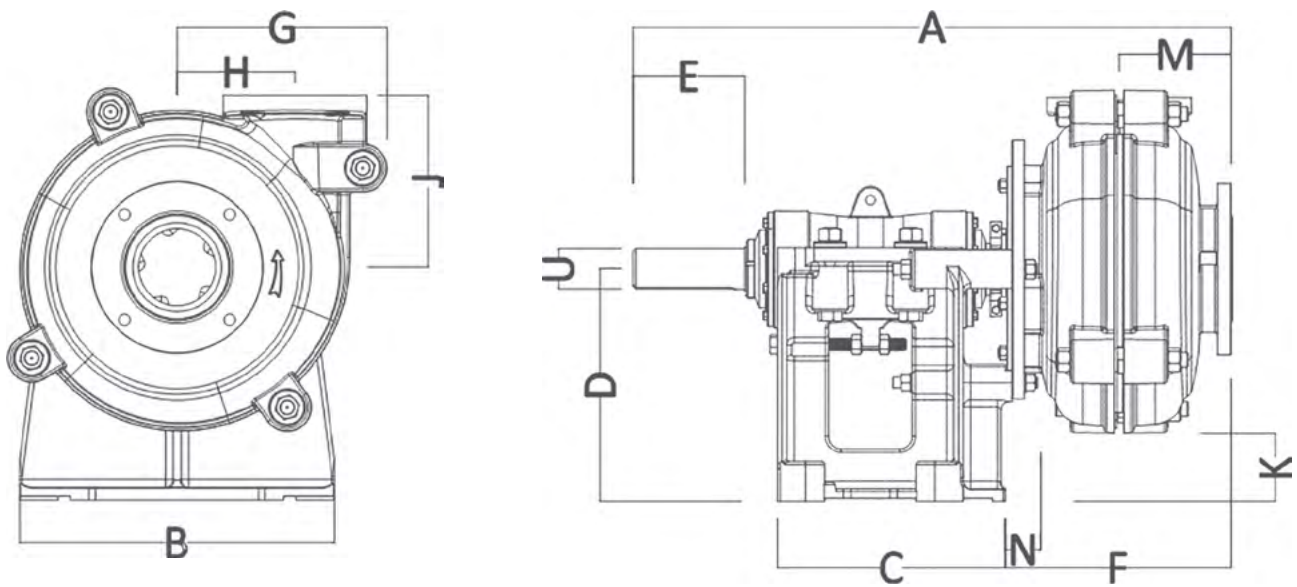
Suction	152 mm (6")
Discharge	101 mm (4")
Maximum RPM	1350
Sealing system	Mechanical seal
Impeller material	Rubber
Liner material	Rubber
Throat bush	Rubber
Maximum motor power	60 kW
Weight-Bare shaft pump	454 kg



NOTE This information is for guidance/reference only. For application specific drawings and curves, please contact your nearest authorised distributor at slurrypro.com

Standard Series

SS6x4-401120



A	B	C	D	E	F	G	H
1021.08	492	364	329.9	164.1	423.9	405.89	229.11

J	K	L	M	N	U	Key size
338.07	10.9	0	218.95	65.3	65	18 x 11

All values in millimetres (mm)