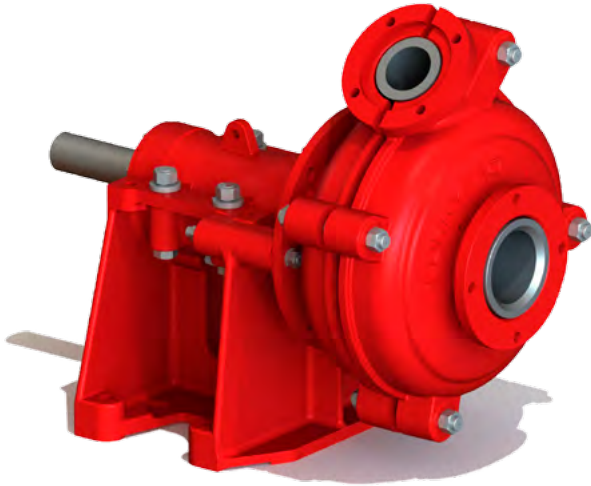
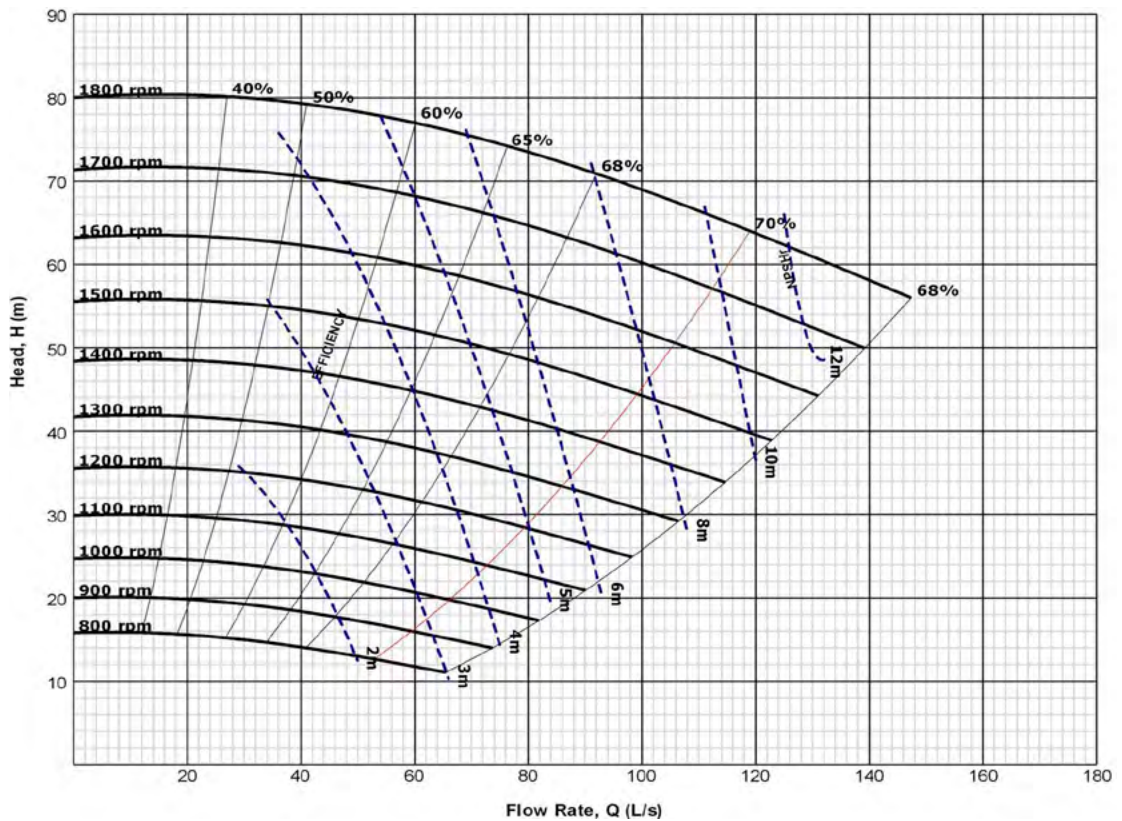


Standard Series SS6x4-400130



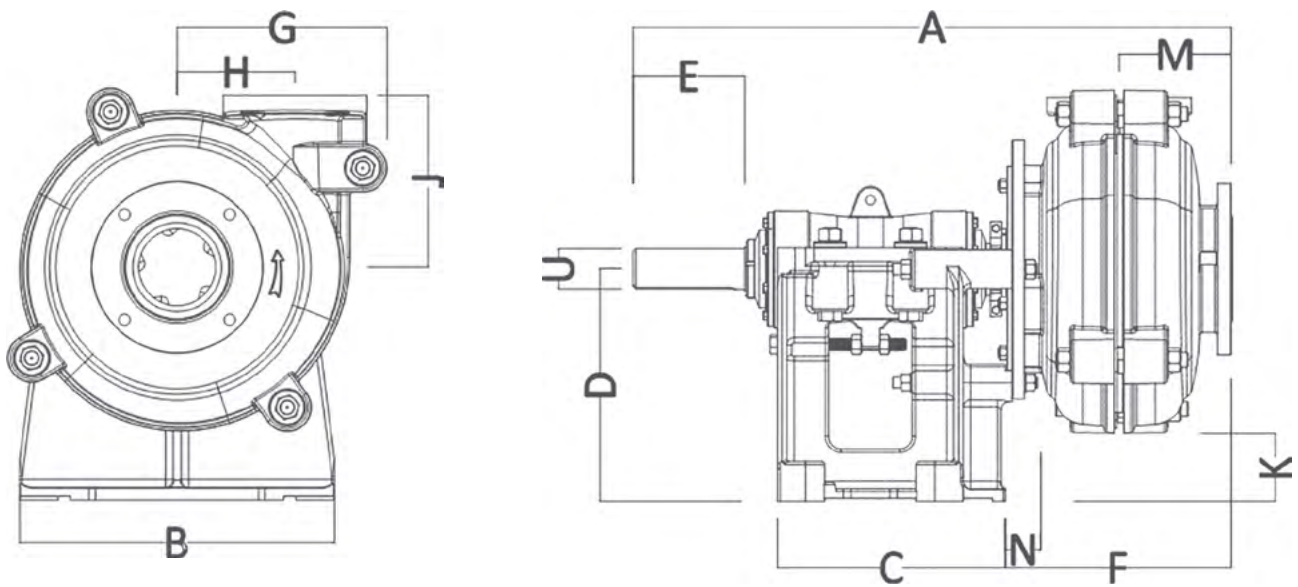
| | |
|-------------------------------|---------------------------------|
| Suction | 152 mm (6") |
| Discharge | 101 mm (4") |
| Maximum RPM | 1800 |
| Sealing system | Standard single mechanical seal |
| Impeller material | High chrome |
| Liner material | Rubber |
| Throat bush | High chrome |
| Maximum motor power | 120 kW |
| Weight-Bare shaft pump | 884 kg |



NOTE This information is for guidance/reference only. For application specific drawings and curves, please contact your nearest authorised distributor at slurrypro.com

Standard Series

SS6x4-400130



| A | B | C | D | E | F | G | H |
|---------|--------|--------|--------|-------|--------|----------|--------|
| 1178.05 | 622.05 | 448.06 | 456.95 | 222 | 433.07 | 405.89 | 229.11 |
| J | K | L | M | N | U | Key size | |
| 338.07 | 137.92 | 0 | 218.95 | 75.18 | 80 | 22 x 14 | |

All values in millimetres (mm)