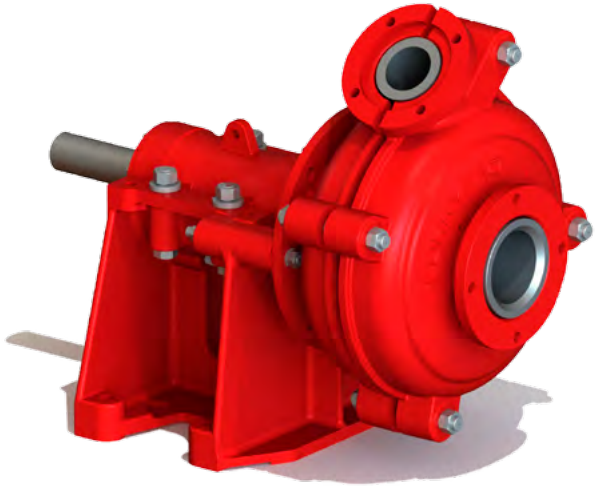
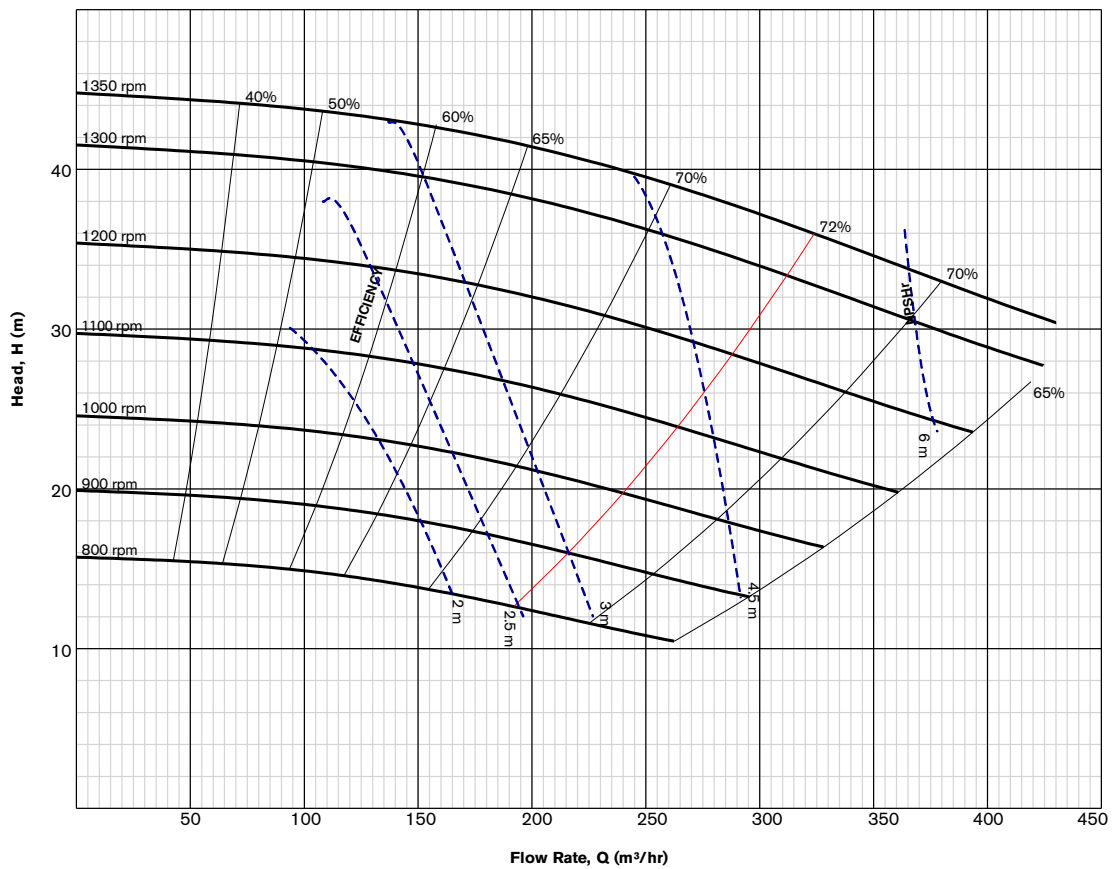


# Standard Series

## SS6x4-001120



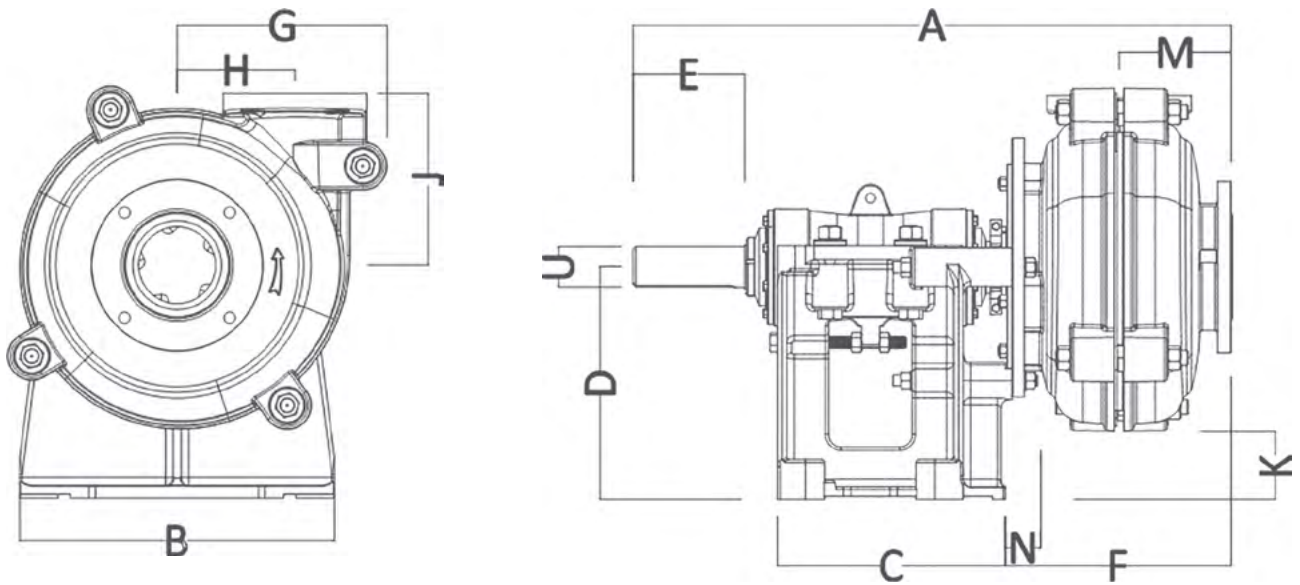
<b>Suction</b>	152 mm (6")
<b>Discharge</b>	101 mm (4")
<b>Maximum RPM</b>	1350
<b>Sealing system</b>	Standard gland packing
<b>Impeller material</b>	Rubber
<b>Liner material</b>	Rubber
<b>Throat bush</b>	Rubber
<b>Maximum motor power</b>	60 kW
<b>Weight-Bare shaft pump</b>	670 kg



**NOTE** This information is for guidance/reference only. For application specific drawings and curves, please contact your nearest authorised distributor at [slurrypro.com](http://slurrypro.com)

# Standard Series

## SS6x4-001120



A	B	C	D	E	F	G	H
1021	492	364	330	164	424	406	229

J	K	L	M	N	U	Key size
338	11	0	219	65	65	18 x 11

All values in millimetres (mm)