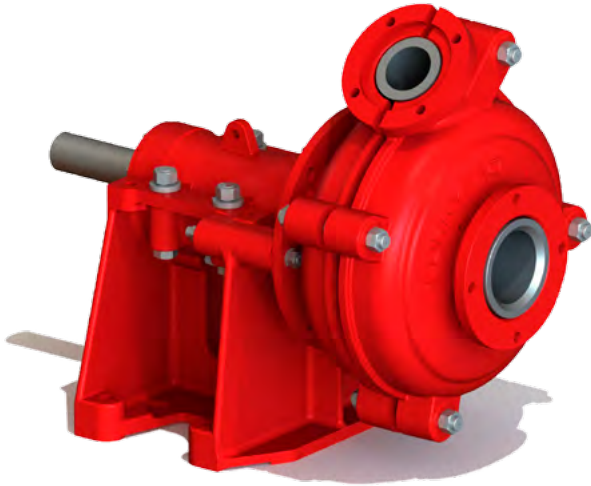
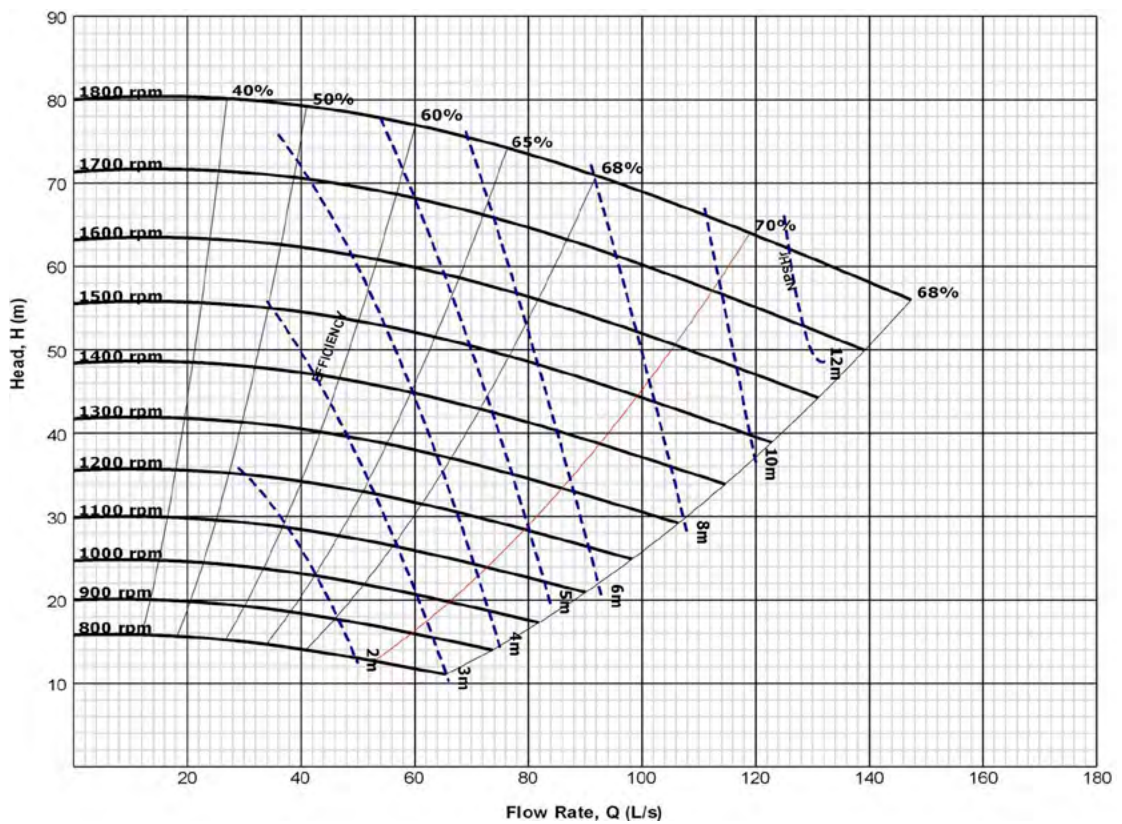


# Standard Series

## SS6x4-000130



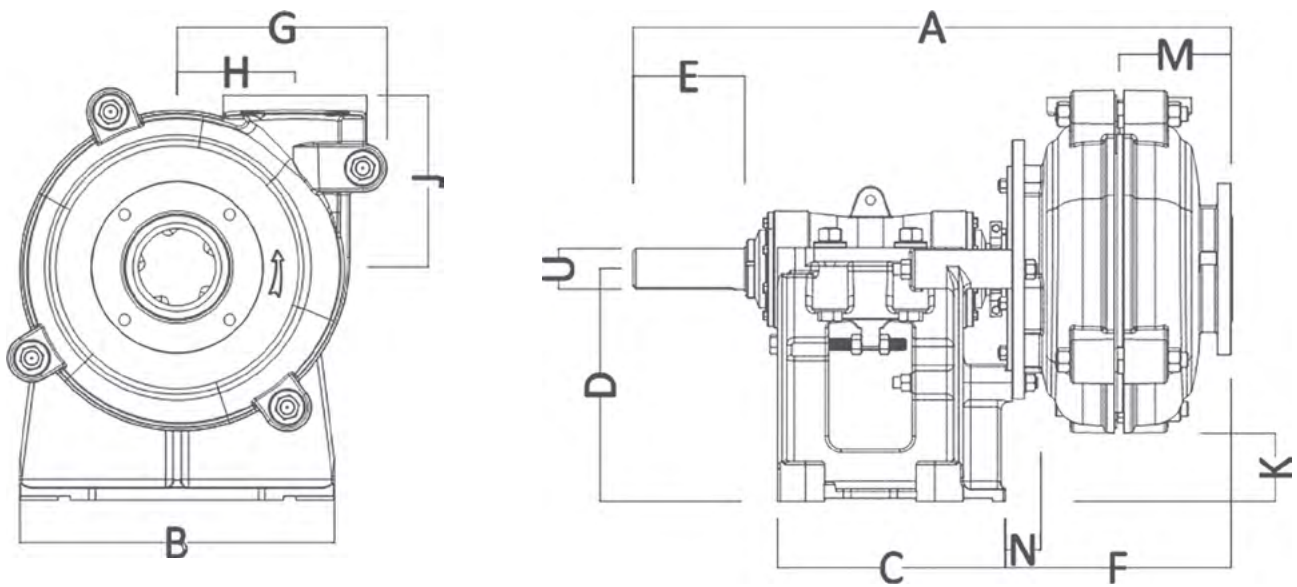
<b>Suction</b>	152 mm (6")
<b>Discharge</b>	101 mm (4")
<b>Maximum RPM</b>	1800
<b>Sealing system</b>	Standard gland packing
<b>Impeller material</b>	High chrome
<b>Liner material</b>	Rubber
<b>Throat bush</b>	High chrome
<b>Maximum motor power</b>	120 kW
<b>Weight-Bare shaft pump</b>	884 kg



**NOTE** This information is for guidance/reference only. For application specific drawings and curves, please contact your nearest authorised distributor at [slurrypro.com](http://slurrypro.com)

## Standard Series

### SS6x4-000130



A	B	C	D	E	F	G	H
1178.05	622.05	448.06	456.95	222	433.07	405.89	229.11
J	K	L	M	N	U	Key size	
338.07	137.92	0	218.95	75.18	80	22 x 14	

All values in millimetres (mm)