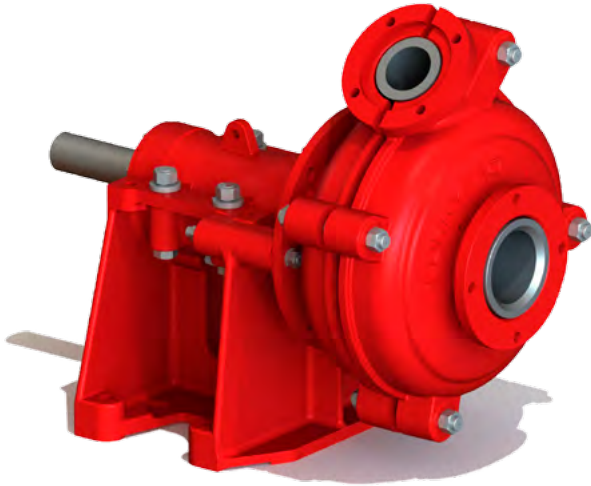
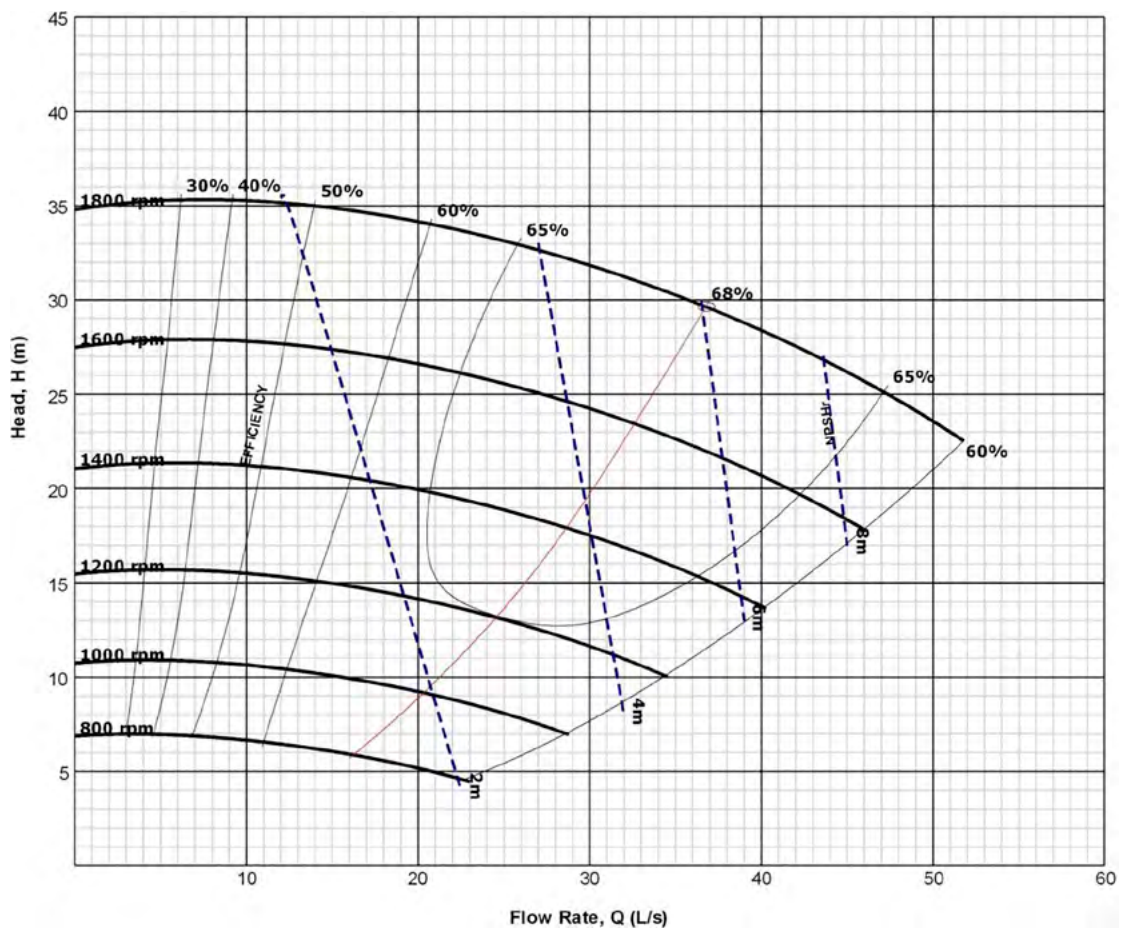


# Standard Series

## SS4x3-400120



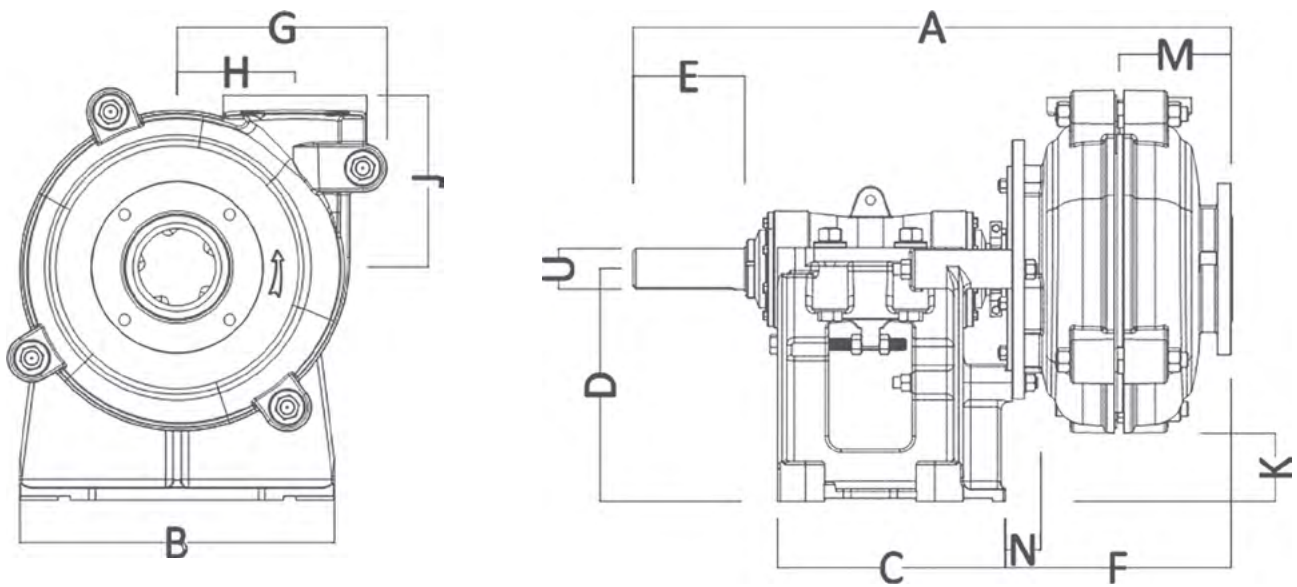
<b>Suction</b>	101 mm (4")
<b>Discharge</b>	76 mm (3")
<b>Maximum RPM</b>	1800
<b>Sealing system</b>	Mechanical seal
<b>Impeller material</b>	High chrome
<b>Liner material</b>	Rubber
<b>Throat bush</b>	N/A
<b>Maximum motor power</b>	60 kW
<b>Weight-Bare shaft pump</b>	290 kg



**NOTE** This information is for guidance/reference only. For application specific drawings and curves, please contact your nearest authorised distributor at [slurrypro.com](http://slurrypro.com)

## Standard Series

### SS4x3-400120



A	B	C	D	E	F	G	H
943	492	364	330	164	353	292	149
J	K	L	M	N	U	Key size	
262	100	0	187	52	65	18 x 11	

All values in millimetres (mm)