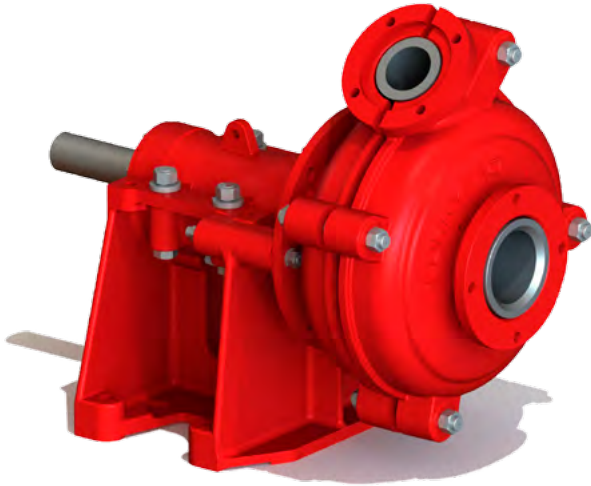
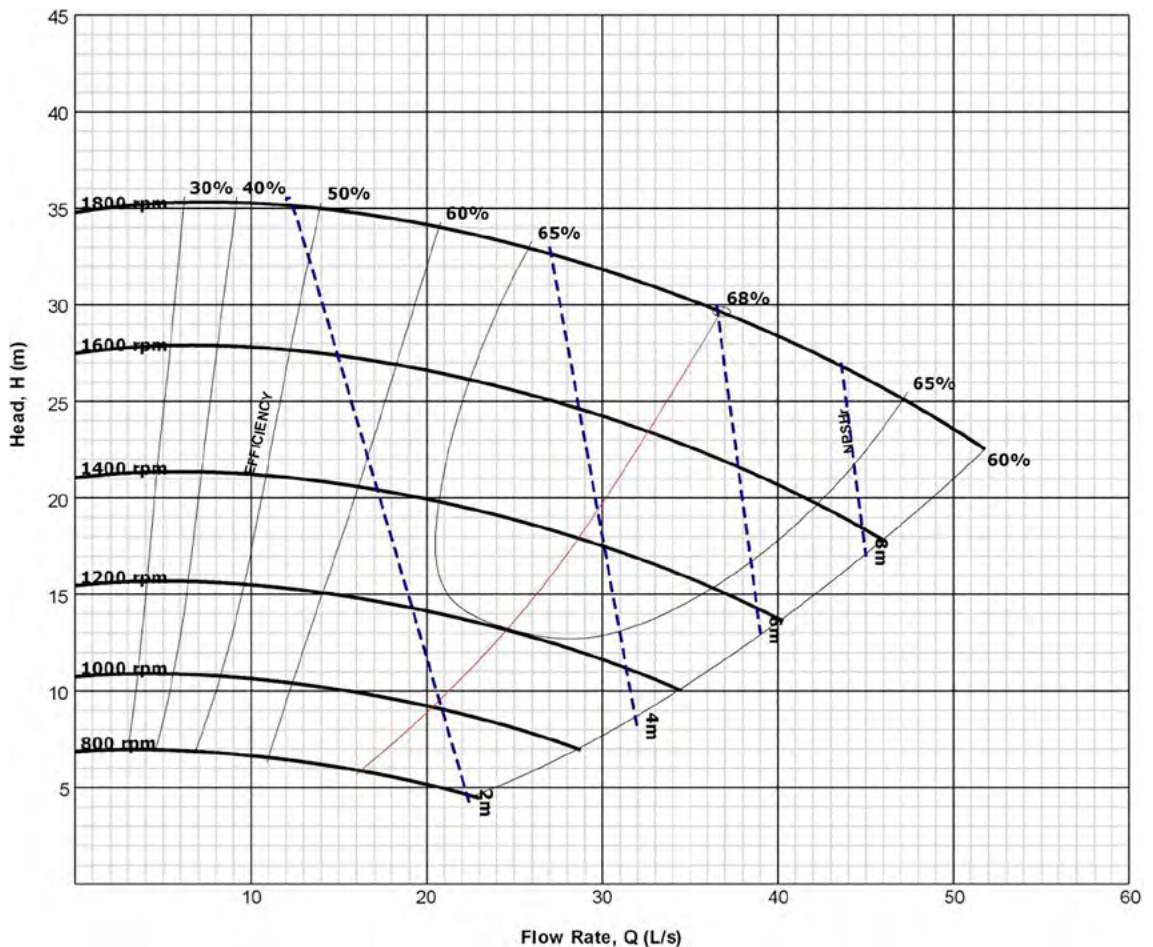


# Standard Series

## SS4x3-201120



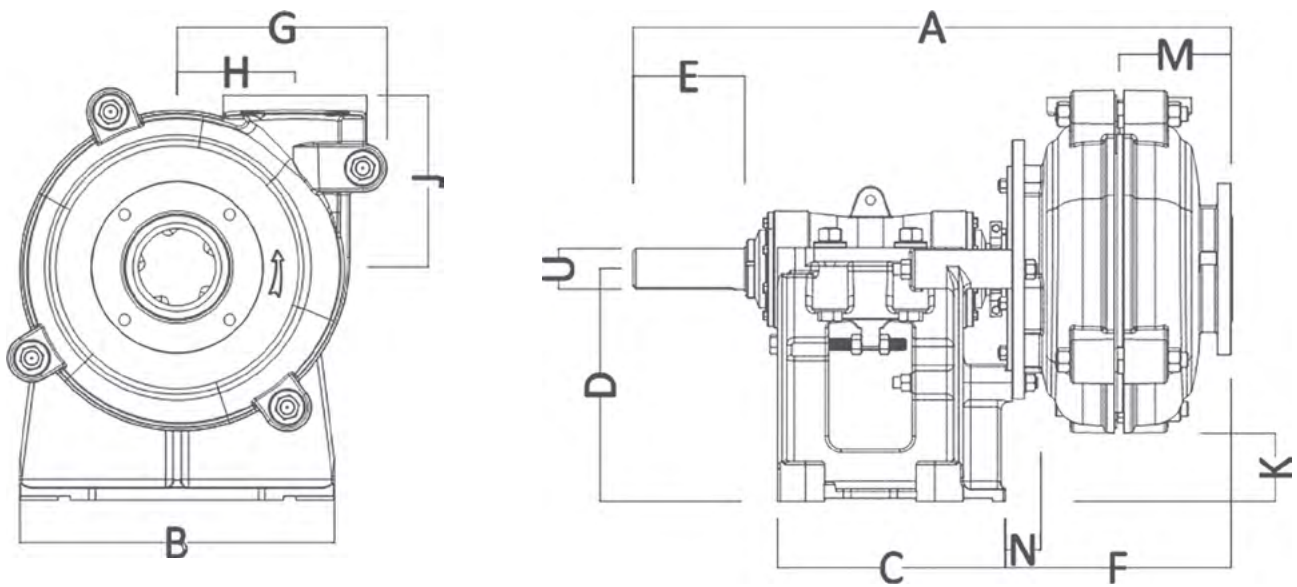
<b>Suction</b>	101 mm (4")
<b>Discharge</b>	76 mm (3")
<b>Maximum RPM</b>	1800
<b>Sealing system</b>	Expeller
<b>Impeller material</b>	Rubber
<b>Liner material</b>	Rubber
<b>Throat bush</b>	N/A
<b>Maximum motor power</b>	60 kW
<b>Weight-Bare shaft pump</b>	290 kg



**NOTE** This information is for guidance/reference only. For application specific drawings and curves, please contact your nearest authorised distributor at [slurrypro.com](http://slurrypro.com)

## Standard Series

### SS4x3-201120



A	B	C	D	E	F	G	H
943.1	492	363.98	329.95	164.08	353.06	292.1	149.1
J	K	L	M	N	U	Key size	
261.87	100.08	0	186.94	51.82	65	18 x 11	

All values in millimetres (mm)