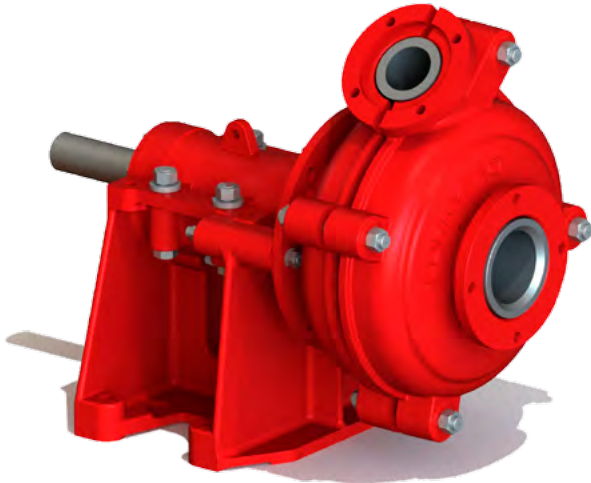
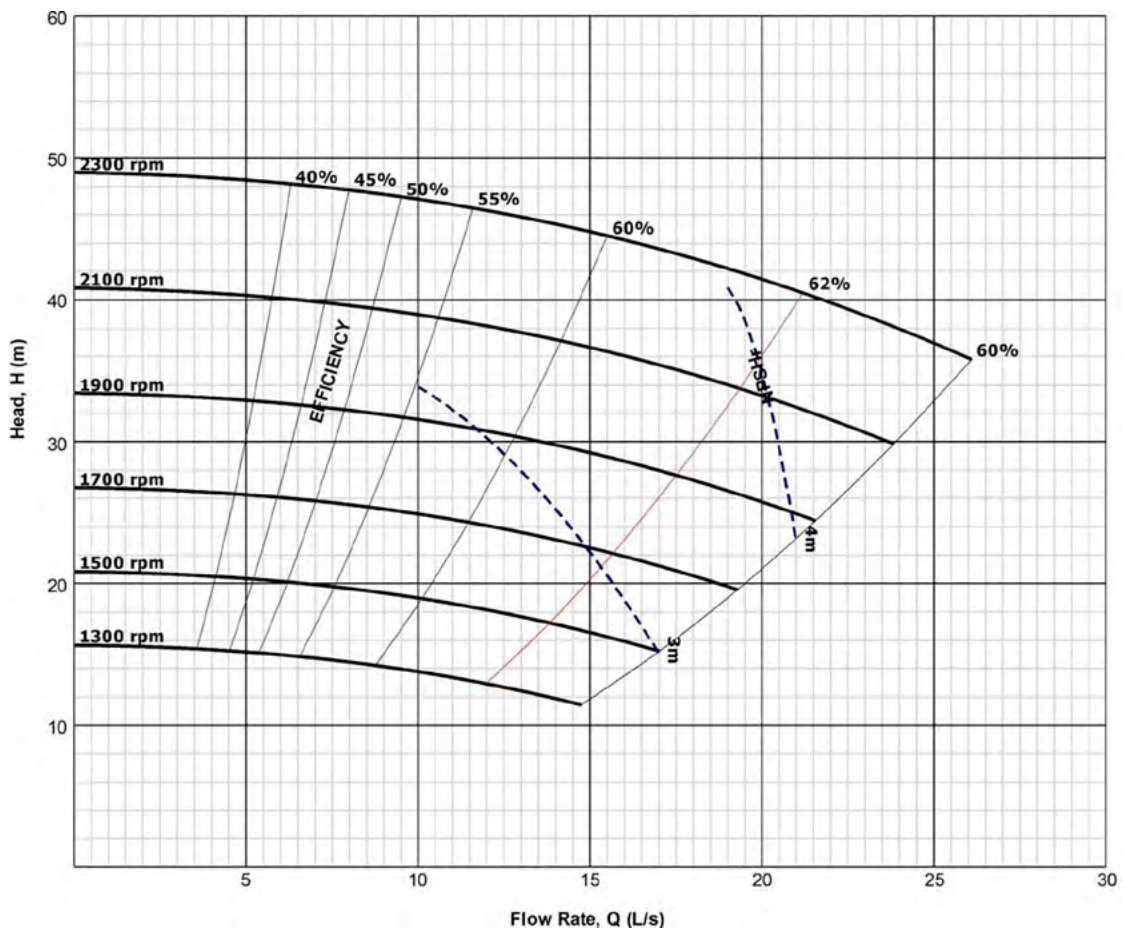


Standard Series

SS3x2-201115



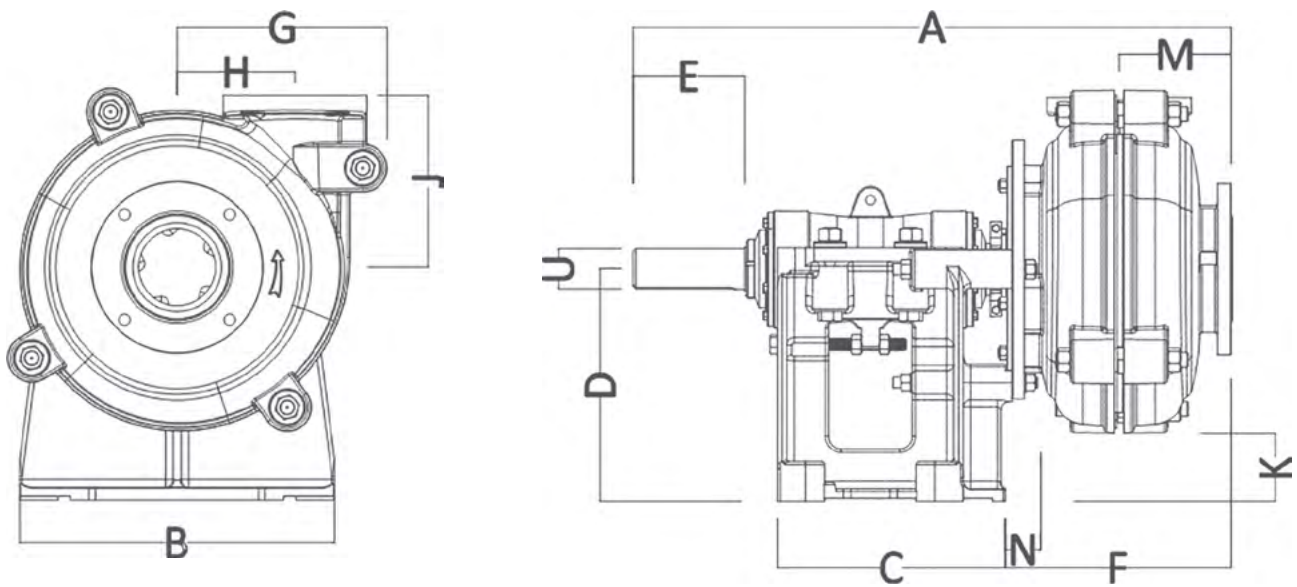
Suction	76.2 mm (3")
Discharge	50.8 mm (2")
Maximum RPM	2300
Sealing system	Expeller
Impeller material	Rubber
Liner material	Rubber
Throat bush	N/A
Maximum motor power	55 kW
Weight – bare shaft pump	197 kg



NOTE This information is for guidance/reference only. For application specific drawings and curves, please contact your nearest authorised distributor at slurrypro.com

Standard Series

SS3x2-201115



A	B	C	D	E	F	G	H
768.1	405.89	310.9	254	120.9	279.91	238	137.92
J	K	L	M	N	U	Key size	
210.06	71.37	0	150.88	39.62	42	12 x 8	

All values in millimetres (mm)