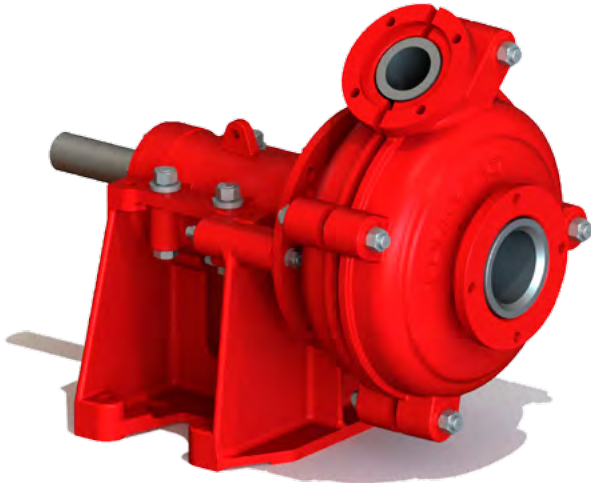
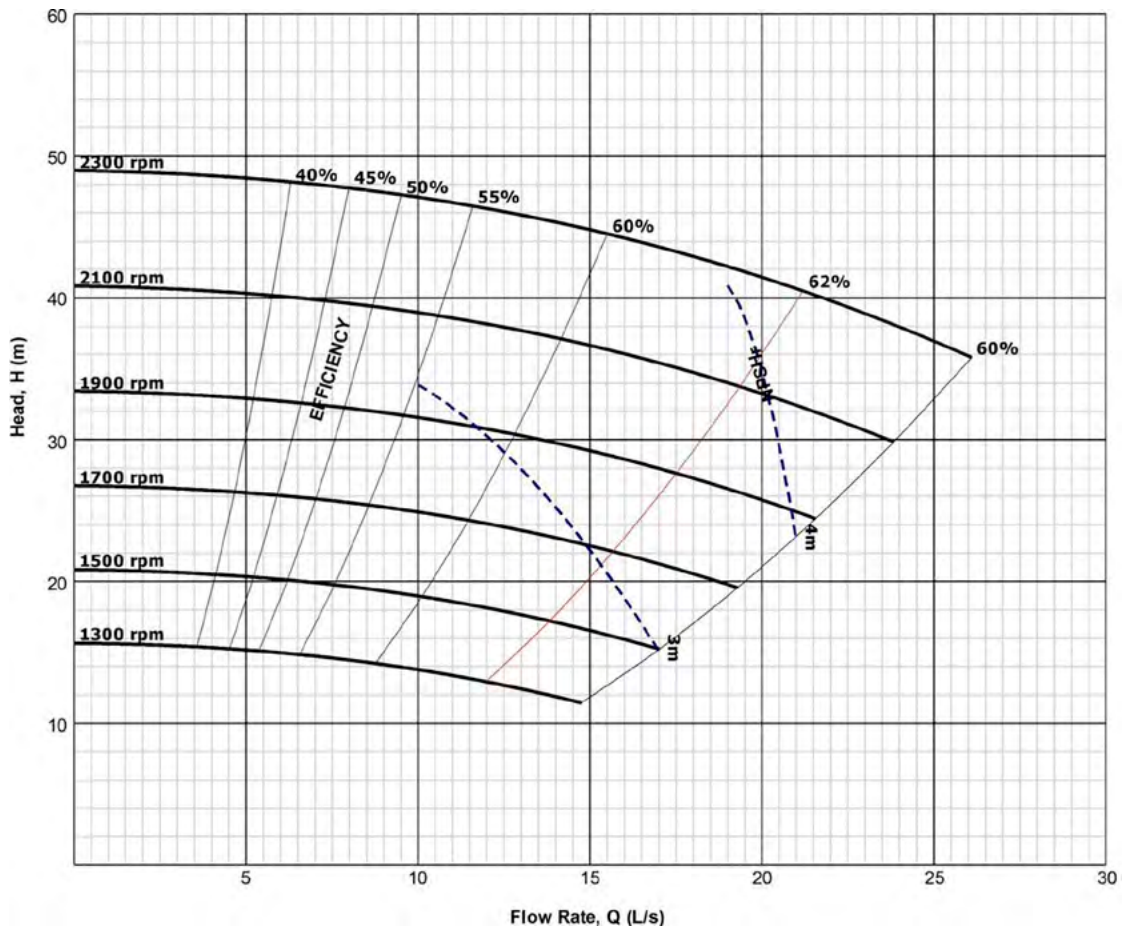


Standard Series

SS3x2-201110



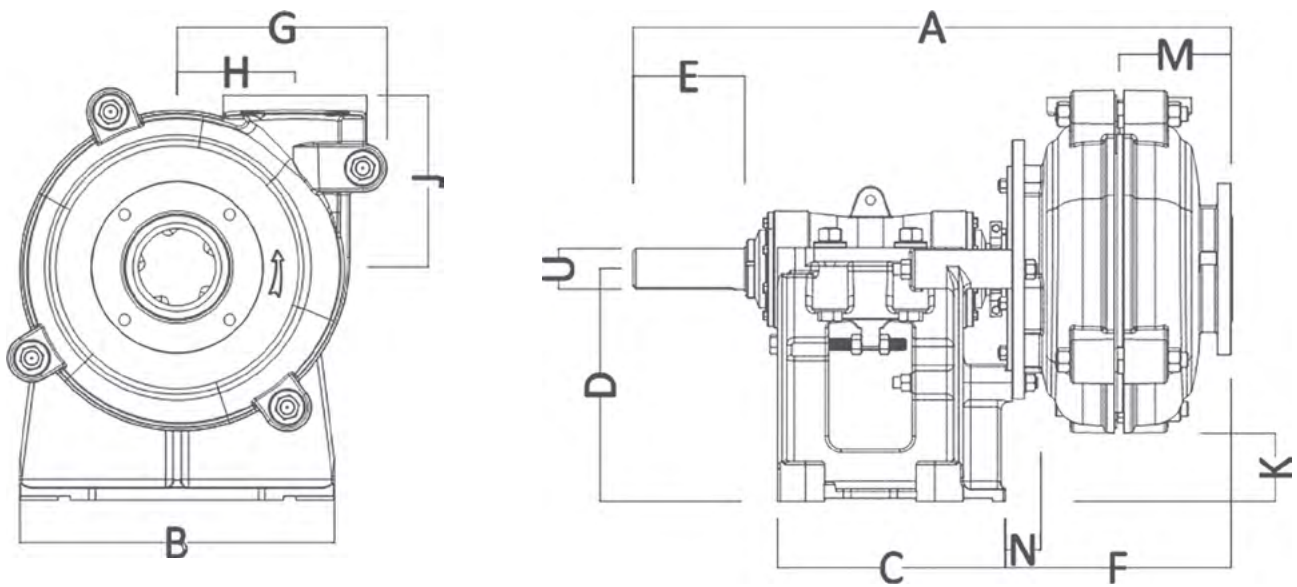
| | |
|------------------------|--------------|
| Suction | 76.2 mm (3") |
| Discharge | 50.8 mm (2") |
| Maximum RPM | 2300 |
| Sealing system | Expeller |
| Impeller material | Rubber |
| Liner material | Rubber |
| Throat bush | N/A |
| Maximum motor power | 30 kW |
| Weight-Bare shaft pump | 154 kg |



NOTE This information is for guidance/reference only. For application specific drawings and curves, please contact your nearest authorised distributor at slurrypro.com

Standard Series

SS3x2-201110



| A | B | C | D | E | F | G | H |
|--------|--------|-------|--------|-------|--------|----------|--------|
| 768.1 | 405.89 | 310.9 | 254 | 120.9 | 279.91 | 238 | 137.92 |
| J | K | L | M | N | U | Key size | |
| 210.06 | 71.37 | 0 | 150.88 | 39.62 | 42 | 12 x 8 | |

All values in millimetres (mm)