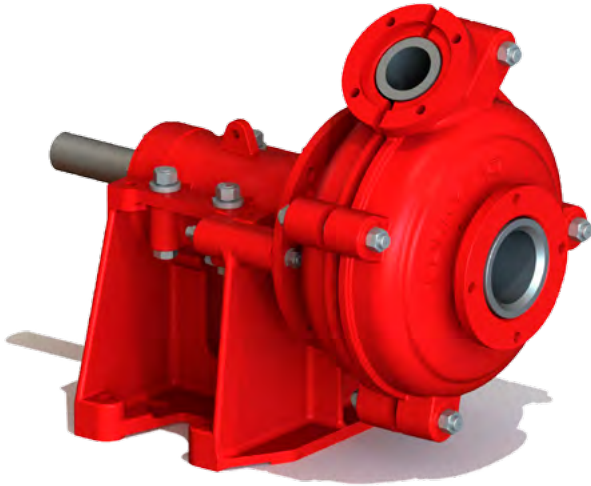
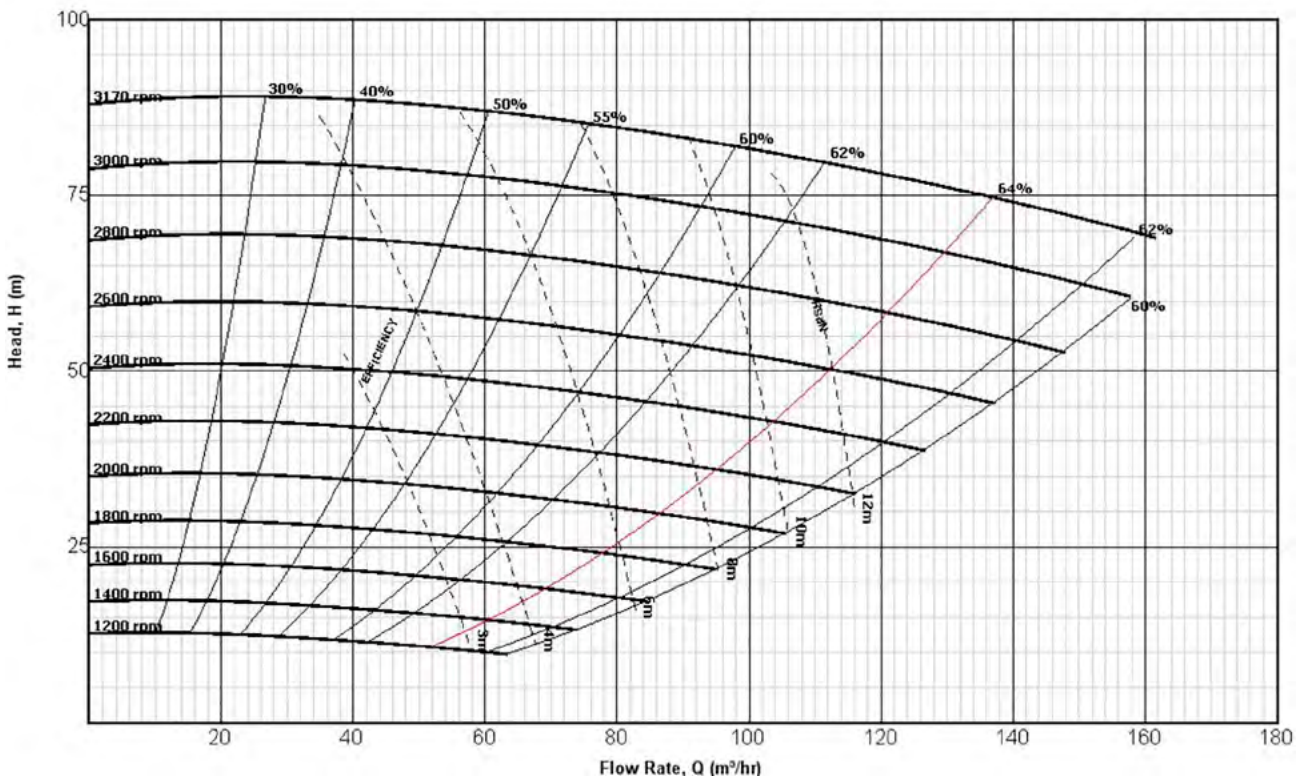


# Standard Series

## SS3x2-000115



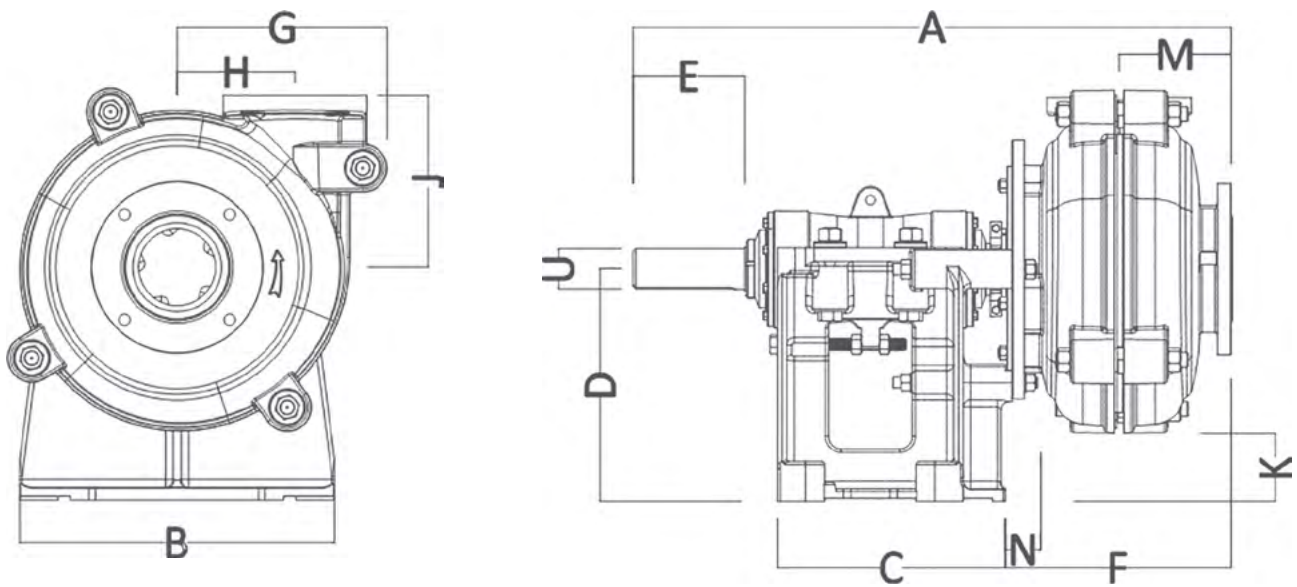
<b>Suction</b>	76.2 mm (3")
<b>Discharge</b>	50.8 mm (2")
<b>Maximum RPM</b>	3170
<b>Sealing system</b>	Standard gland packing
<b>Impeller material</b>	High chrome
<b>Liner material</b>	Rubber
<b>Throat bush</b>	N/A
<b>Maximum motor power</b>	55 kW
<b>Weight-Bare shaft pump</b>	197 kg



**NOTE** This information is for guidance/reference only. For application specific drawings and curves, please contact your nearest authorised distributor at [slurrypro.com](http://slurrypro.com)

## Standard Series

### SS3x2-000115



A	B	C	D	E	F	G	H
768	406	311	254	121	280	238	138
J	K	L	M	N	U	Key size	
210	71	0	151	40	42	12 x 8	

All values in millimetres (mm)