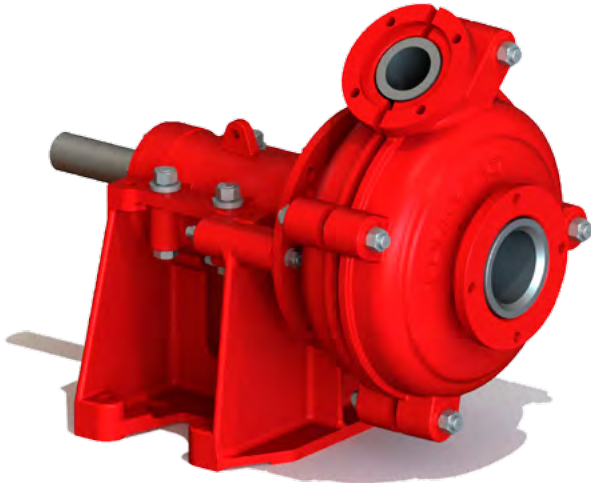
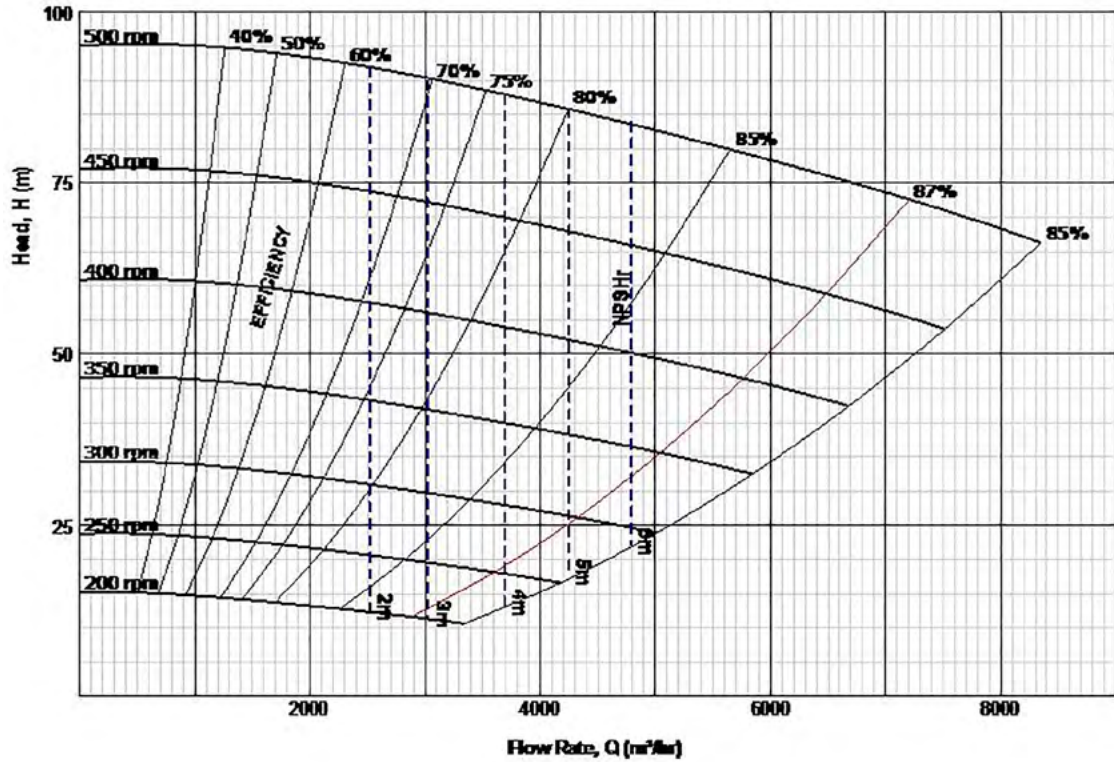


# Standard Series SS20x18-403185



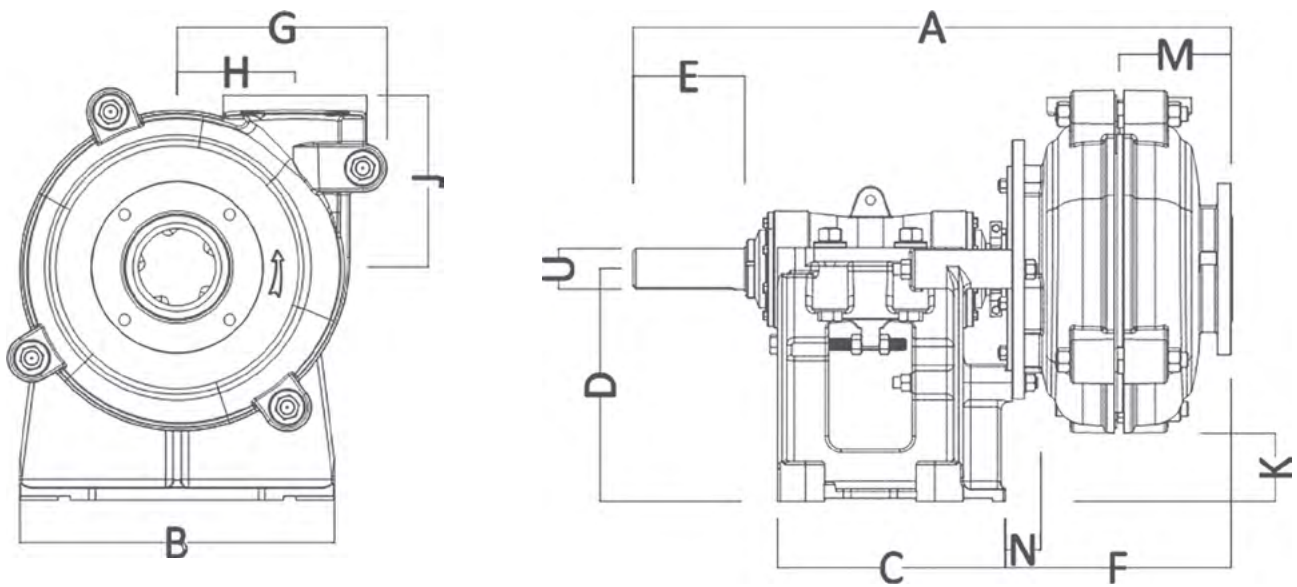
Suction	508 mm (20")
Discharge	152 mm (6")
Maximum RPM	500
Sealing system	Standard single mechanical seal
Impeller material	High chrome
Liner material	Rubber
Throat bush	Rubber
Maximum motor power	1200 kW
Weight-Bare shaft pump	14000 kg



**NOTE** This information is for guidance/reference only. For application specific drawings and curves, please contact your nearest authorised distributor at [slurrypro.com](http://slurrypro.com)

## Standard Series

### SS20x18-403185



A	B	C	D	E	F	G	H
1506.98	857	635	610.11	278.89	538.99	550.93	318.01
J	K	L	M	N	U	Key size	
459.99	89.92	0	292.1	65.02	100	28 x 16	

All values in millimetres (mm)