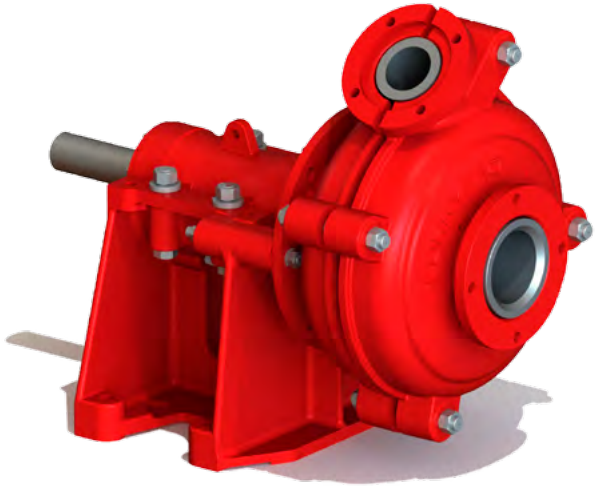
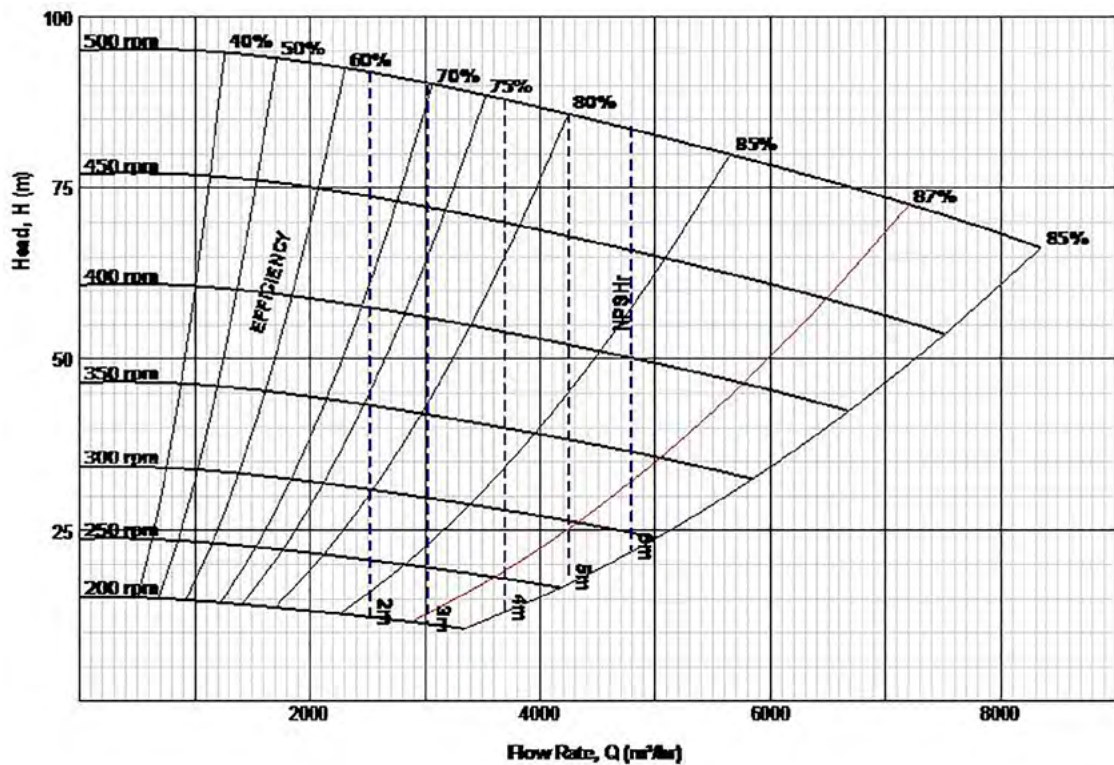


Standard Series

SS20x18-003185



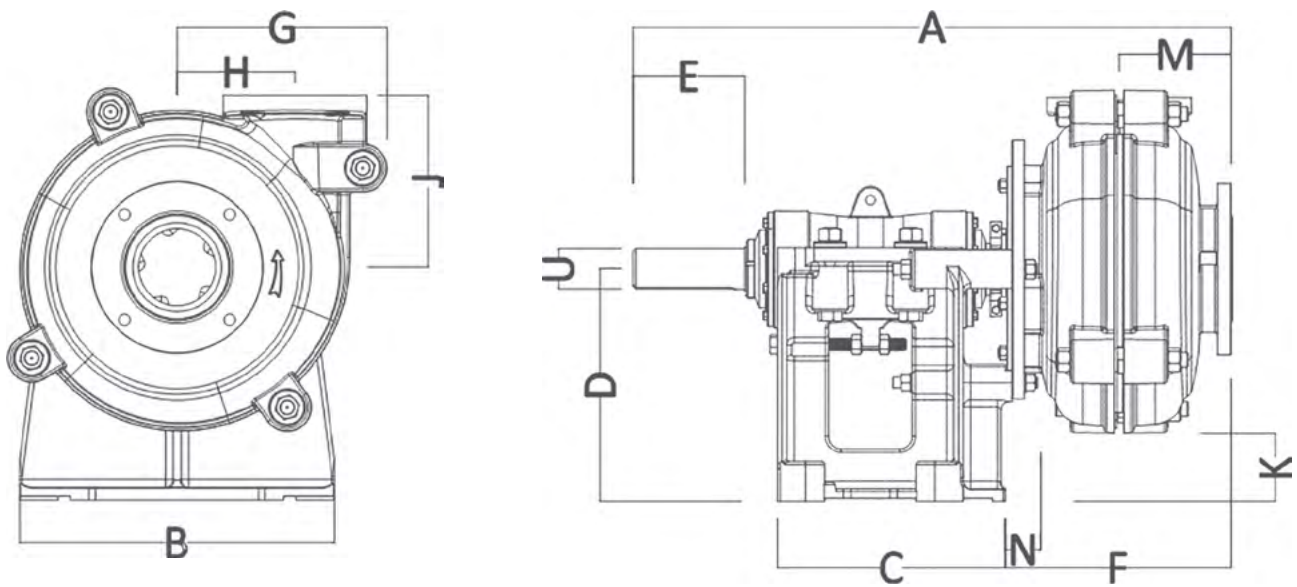
| | |
|------------------------|------------------------|
| Suction | 508 mm (20") |
| Discharge | 457 mm (18") |
| Maximum RPM | 500 |
| Sealing system | Standard gland packing |
| Impeller material | High chrome |
| Liner material | Rubber |
| Throat bush | High chrome |
| Maximum motor power | 1200 kW |
| Weight-Bare shaft pump | 14000 kg |



NOTE This information is for guidance/reference only. For application specific drawings and curves, please contact your nearest authorised distributor at slurrypro.com

Standard Series

SS20x18-003185



| A | B | C | D | E | F | G | H |
|------|------|------|-----|-----|------|----------|-----|
| 2462 | 1460 | 1050 | 900 | 351 | 1100 | 1414 | 940 |
| J | K | L | M | N | U | Key size | |
| 1230 | 0 | 0 | 580 | 0 | 150 | N/A | |

All values in millimetres (mm)