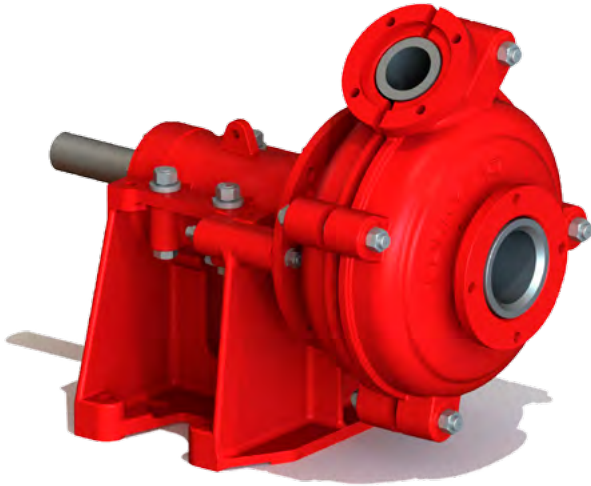
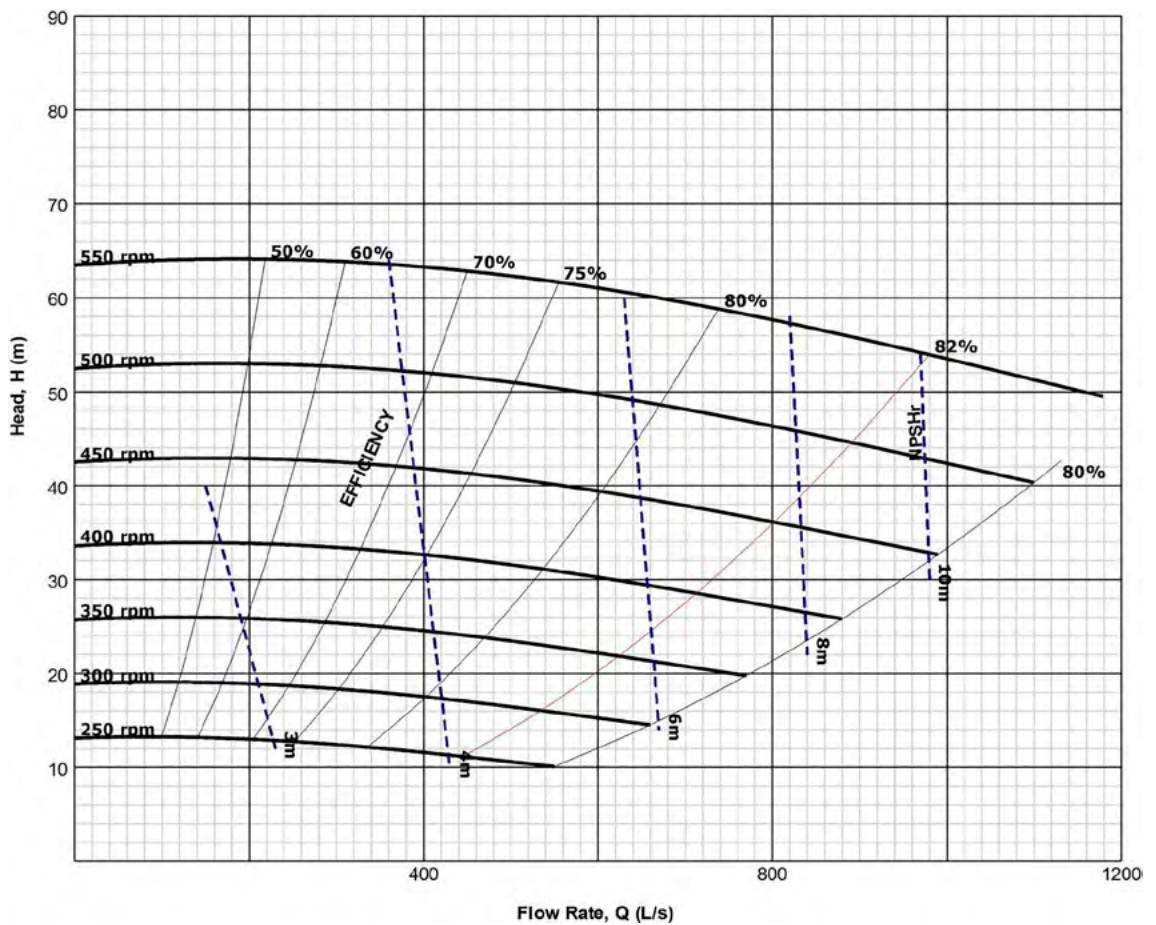


# Standard Series

## SS16x14-003385



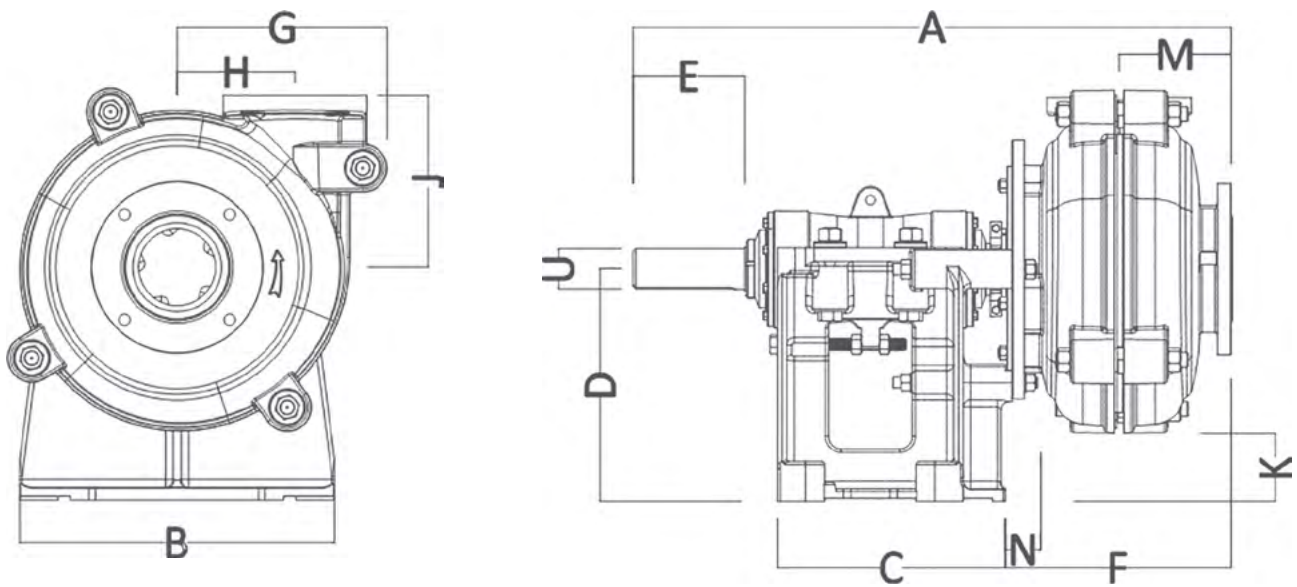
|                               |                        |
|-------------------------------|------------------------|
| <b>Suction</b>                | 400 mm (16")           |
| <b>Discharge</b>              | 350 mm (14")           |
| <b>Maximum RPM</b>            | 550                    |
| <b>Sealing system</b>         | Standard gland packing |
| <b>Impeller material</b>      | High chrome            |
| <b>Liner material</b>         | High chrome            |
| <b>Throat bush</b>            | High chrome            |
| <b>Maximum motor power</b>    | 1200 kW                |
| <b>Weight-Bare shaft pump</b> | 9980 kg                |



**NOTE** This information is for guidance/reference only. For application specific drawings and curves, please contact your nearest authorised distributor at [slurrypro.com](http://slurrypro.com)

## Standard Series

### SS16x14-003385



| A    | B    | C    | D   | E   | F   | G    | H   |
|------|------|------|-----|-----|-----|------|-----|
| 2320 | 1460 | 1050 | 900 | 350 | 953 | 1048 | 660 |

| J   | K | L  | M   | N   | U   | Key size |
|-----|---|----|-----|-----|-----|----------|
| 889 | 0 | 84 | 451 | 167 | 150 | 36 x 20  |

All values in millimetres (mm)