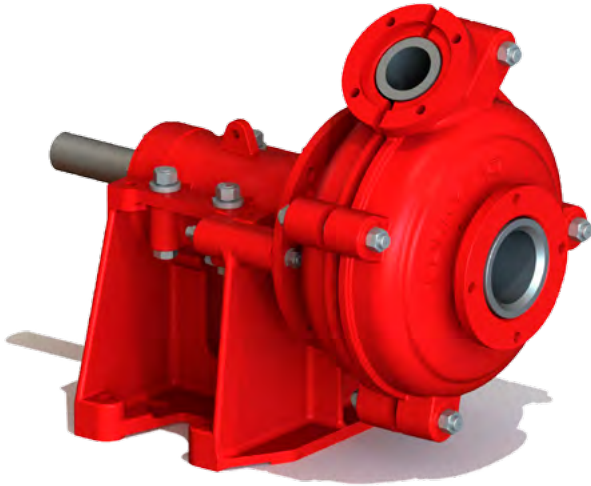
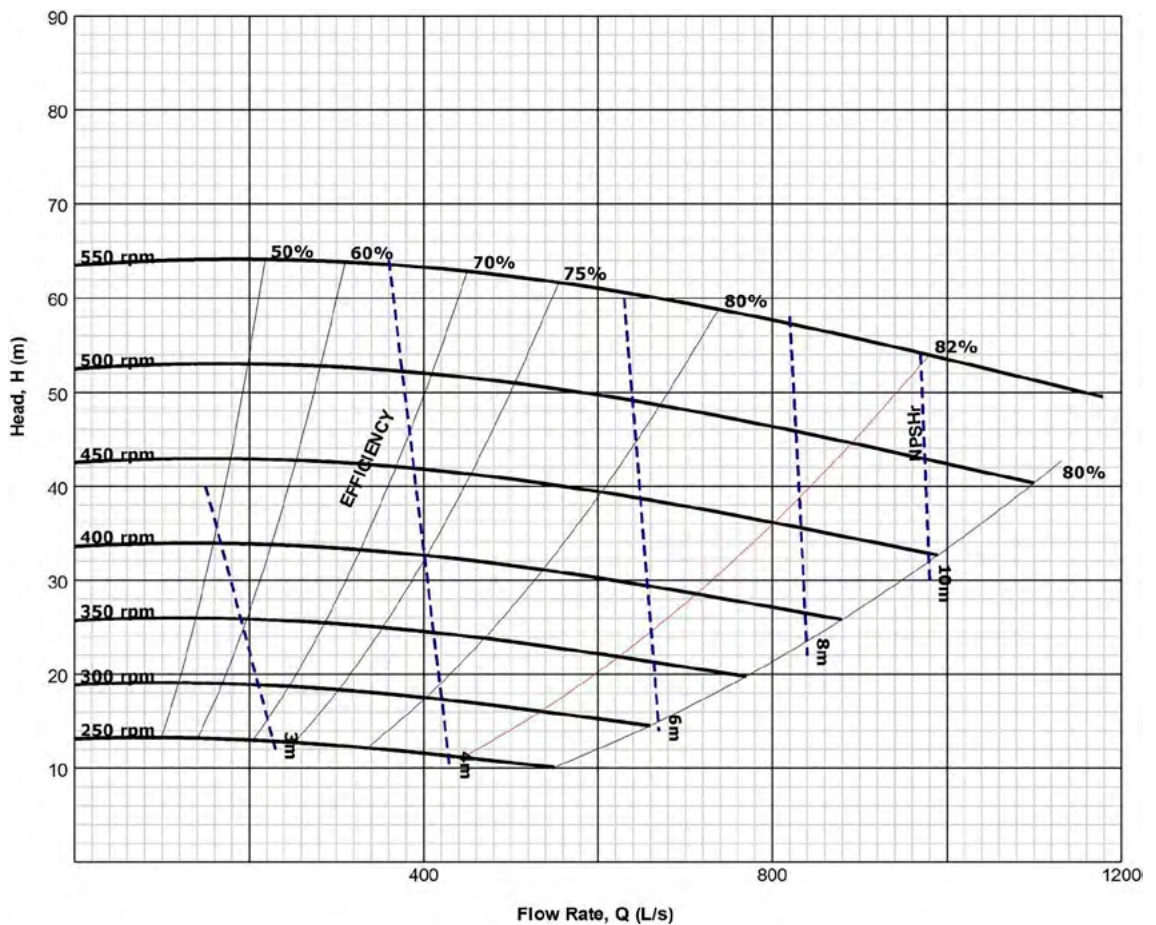


Standard Series

SS16x14-000085



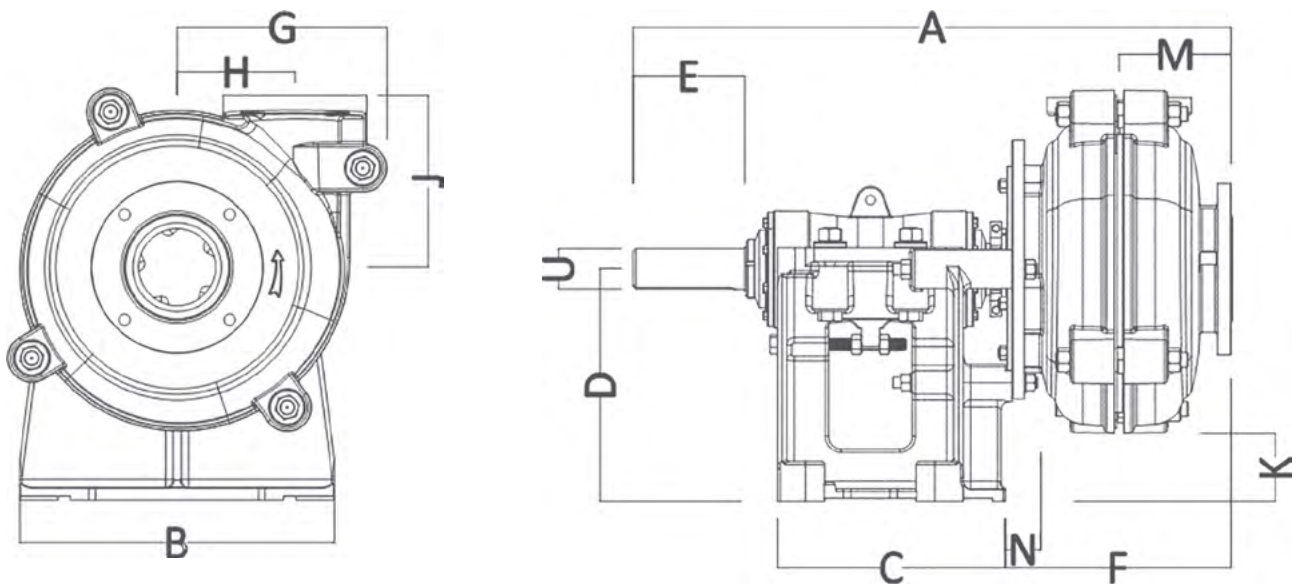
| | |
|-------------------------------|------------------------|
| Suction | 400 mm (16") |
| Discharge | 350 mm (14") |
| Maximum RPM | 550 |
| Sealing system | Standard gland packing |
| Impeller material | High chrome |
| Liner material | High chrome |
| Throat bush | High chrome |
| Maximum motor power | 1200 kW |
| Weight-Bare shaft pump | 9980 kg |



NOTE This information is for guidance/reference only. For application specific drawings and curves, please contact your nearest authorised distributor at slurrypro.com

Standard Series

SS16x14-000085



| A | B | C | D | E | F | G | H |
|------|------|------|-----|-----|-----|------|-----|
| 2320 | 1460 | 1050 | 900 | 350 | 953 | 1048 | 660 |

| J | K | L | M | N | U | Key size |
|-----|---|----|-----|-----|-----|----------|
| 889 | 0 | 84 | 451 | 167 | 150 | 36 x 20 |

All values in millimetres (mm)