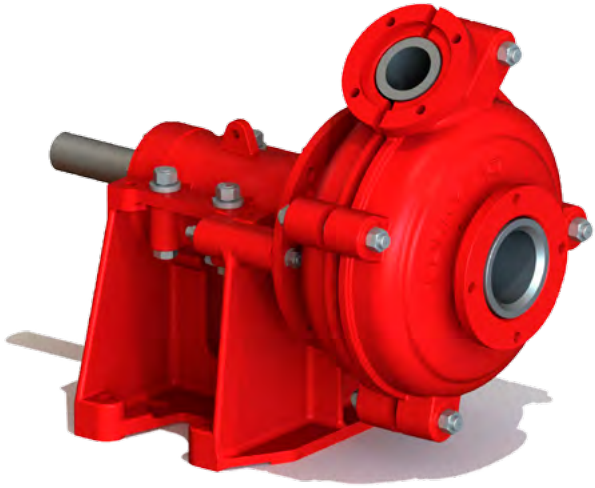
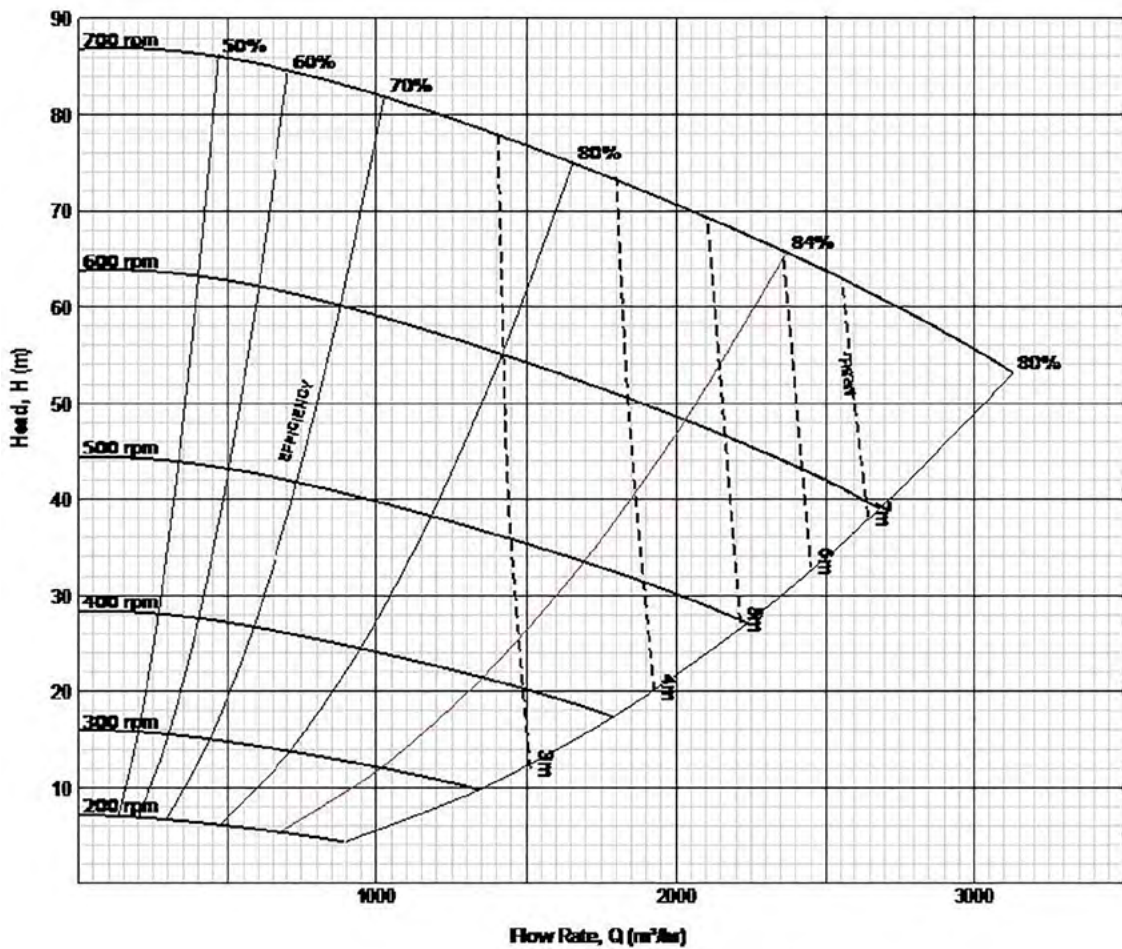


Standard Series

SS14x12-003165



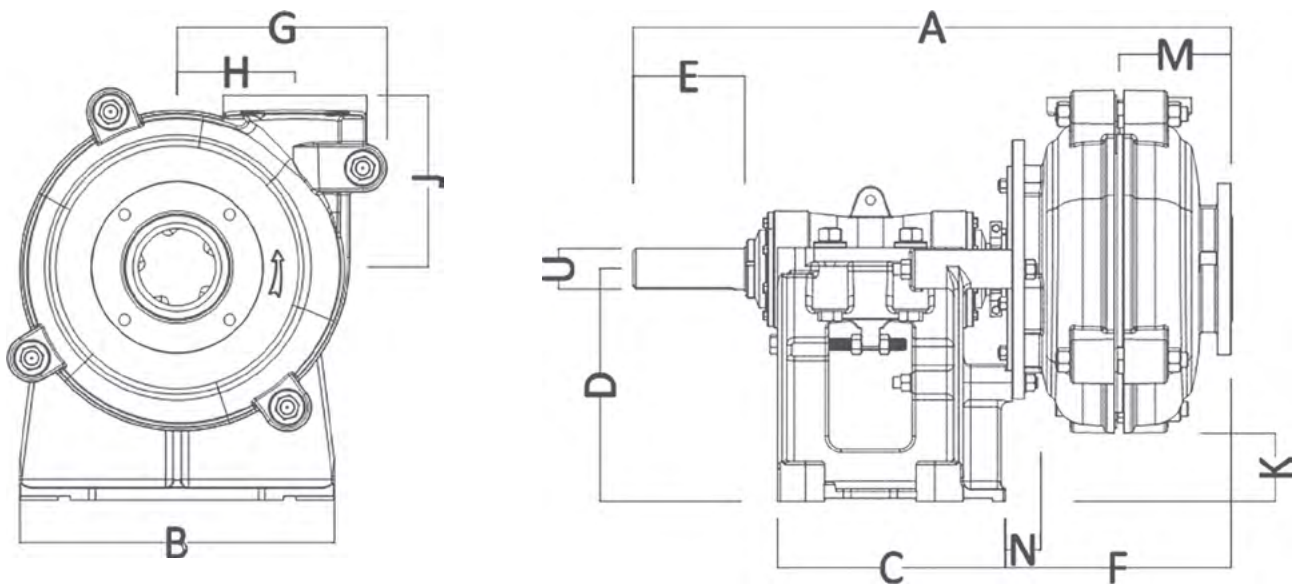
Suction	355 mm (14")
Discharge	305 mm (12")
Maximum RPM	700
Sealing system	Standard gland packing
Impeller material	High chrome
Liner material	Rubber
Throat bush	Rubber
Maximum motor power	560 kW
Weight-Bare shaft pump	630 kg



NOTE This information is for guidance/reference only. For application specific drawings and curves, please contact your nearest authorised distributor at slurrypro.com

Standard Series

SS14x12-003165



A	B	C	D	E	F	G	H
1873	1150.1	780	650	280	812	937	628.9
J	K	L	M	N	U	Key size	
832.1	0	224.03	405.9	113.8	120?	32 x 18	

All values in millimetres (mm)