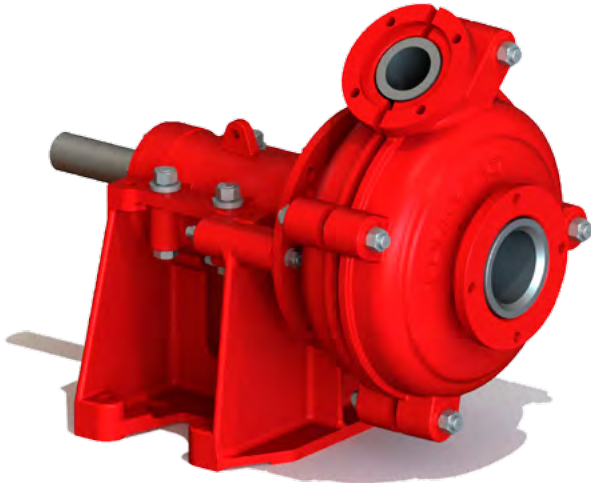
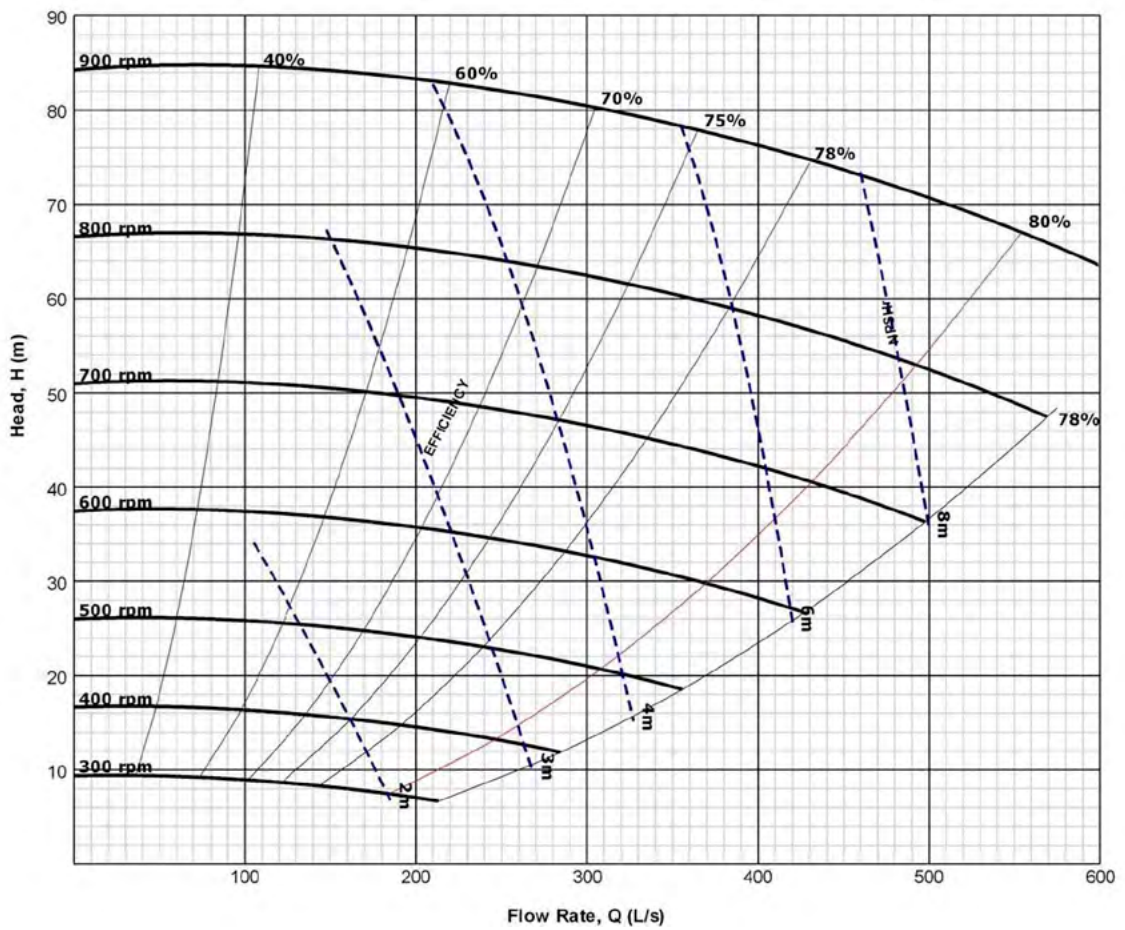


Standard Series

SS12x10-003365



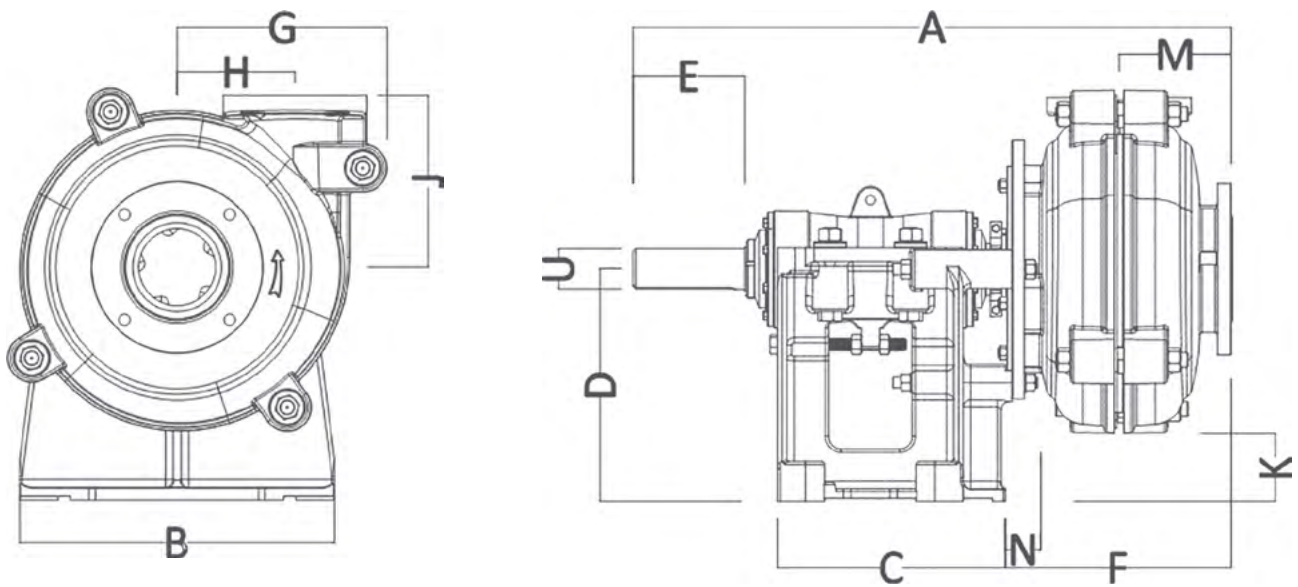
| | |
|-------------------------------|---------------|
| Suction | 300 mm (12") |
| Discharge | 250 mm (10") |
| Maximum RPM | 900 |
| Sealing system | Gland packing |
| Impeller material | High chrome |
| Liner material | High chrome |
| Throat bush | High chrome |
| Maximum motor power | 560 kW |
| Weight-Bare shaft pump | 4300 kg |



NOTE This information is for guidance/reference only. For application specific drawings and curves, please contact your nearest authorised distributor at slurrypro.com

Standard Series

SS12x10-003365



| A | B | C | D | E | F | G | H |
|------|------|-----|-----|-----|------|----------|-----|
| 1816 | 1150 | 780 | 642 | 280 | 762 | 755 | 464 |
| J | K | L | M | N | U | Key size | |
| 673 | 0 | 65 | 381 | 117 | 120? | 32 x 18 | |

All values in millimetres (mm)

NOTE This information is for guidance/reference only. For application specific drawings and curves, please contact your nearest authorised distributor at slurrypro.com