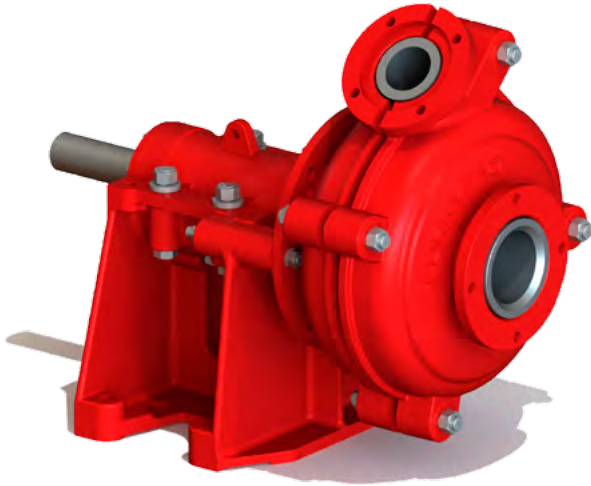
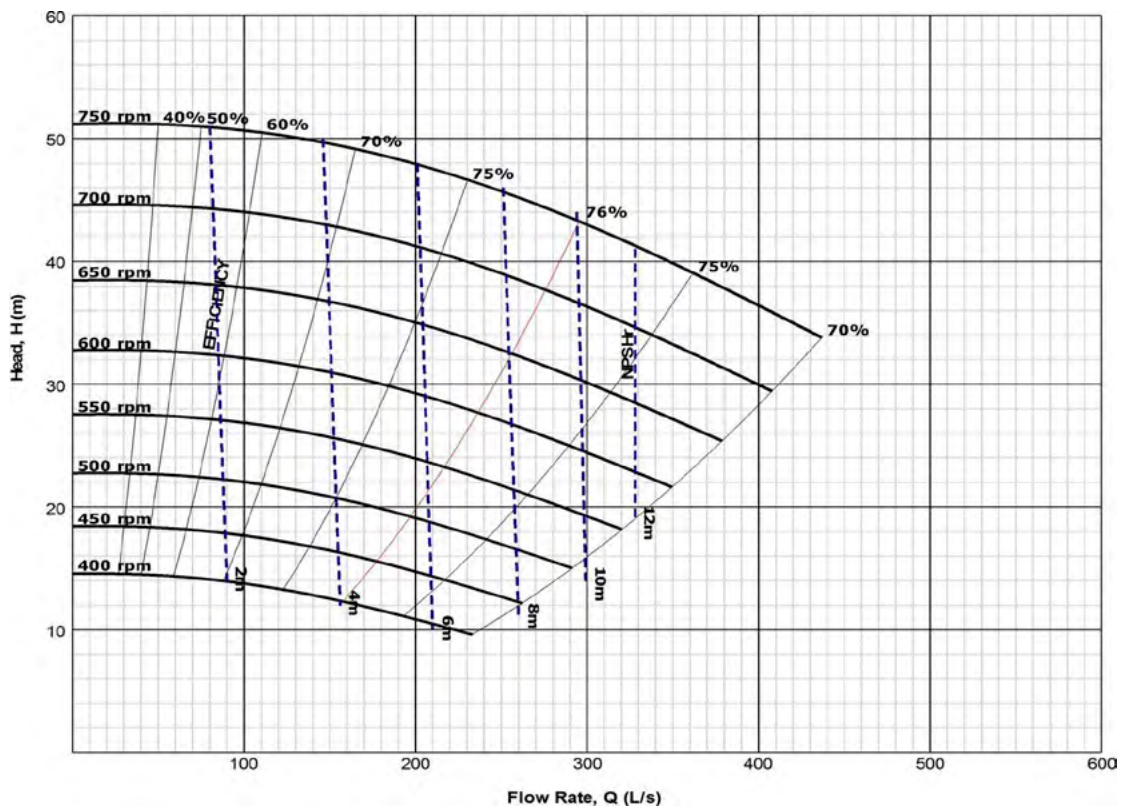


Standard Series SS10x8-201170



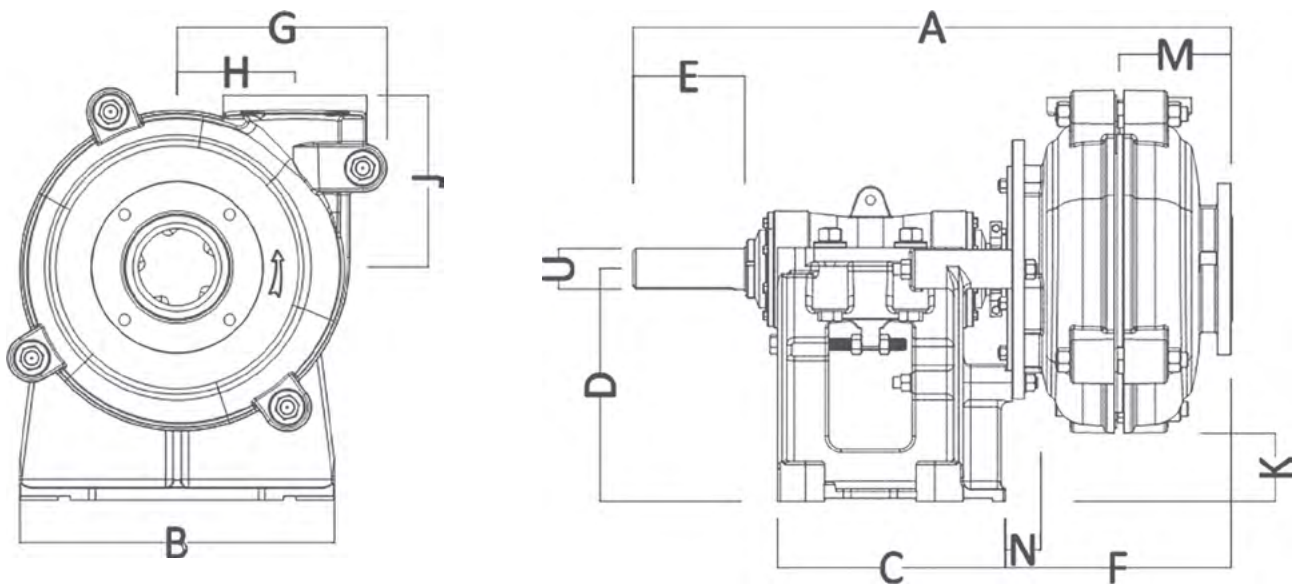
Suction	254 mm (10")
Discharge	203 mm (8")
Maximum RPM	750
Sealing system	Expeller
Impeller material	Rubber
Liner material	Rubber
Throat bush	Rubber
Maximum motor power	600 kW
Weight-Bare shaft pump	3129 kg



NOTE This information is for guidance/reference only. For application specific drawings and curves, please contact your nearest authorised distributor at slurrypro.com

Standard Series

SS10x8-201170



A	B	C	D	E	F	G	H
1645.92	991.11	705.1	610.11	278.89	683.01	673.1	419.1
J	K	L	M	N	U	Key size	
635	0	11.94	332.99	134.11	120	32 x 18	

All values in millimetres (mm)