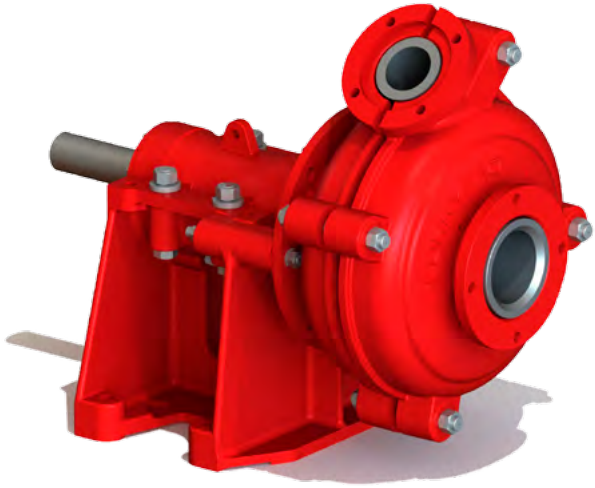
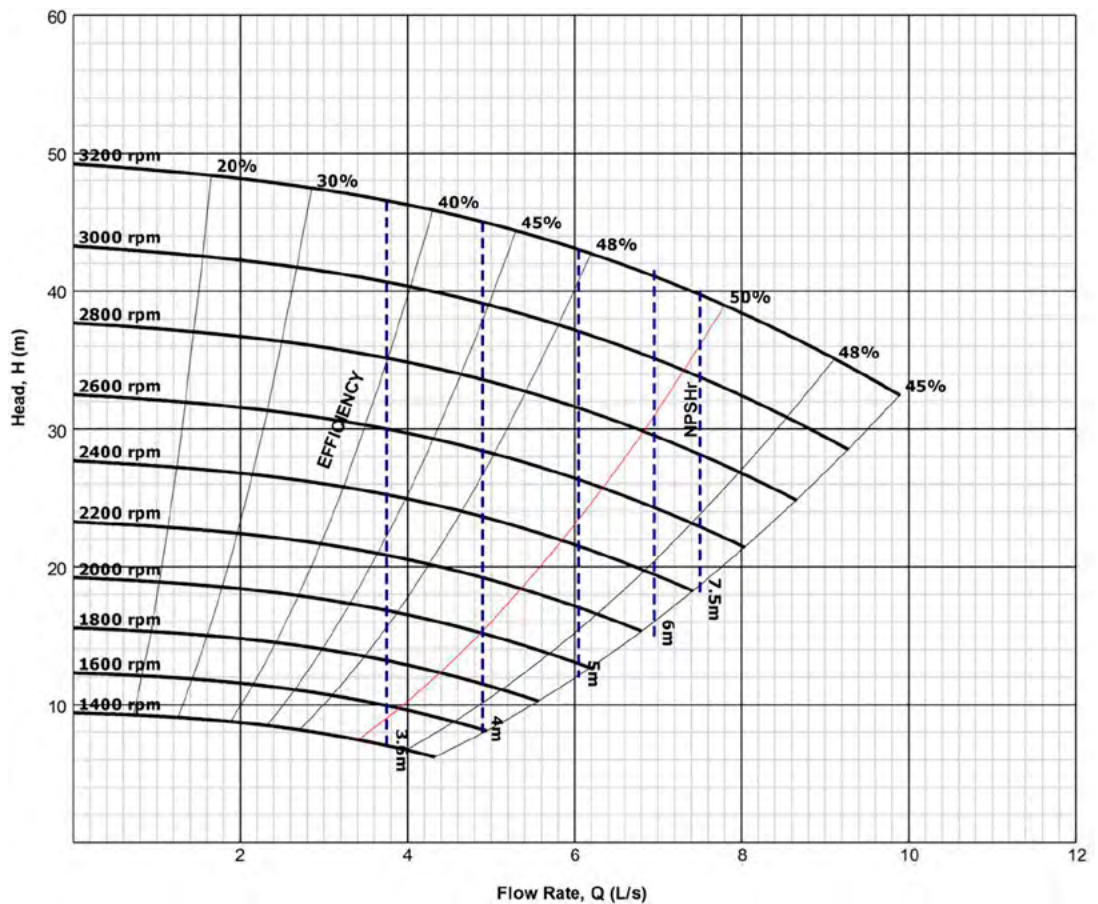


Standard Series SS1.5x1-401105



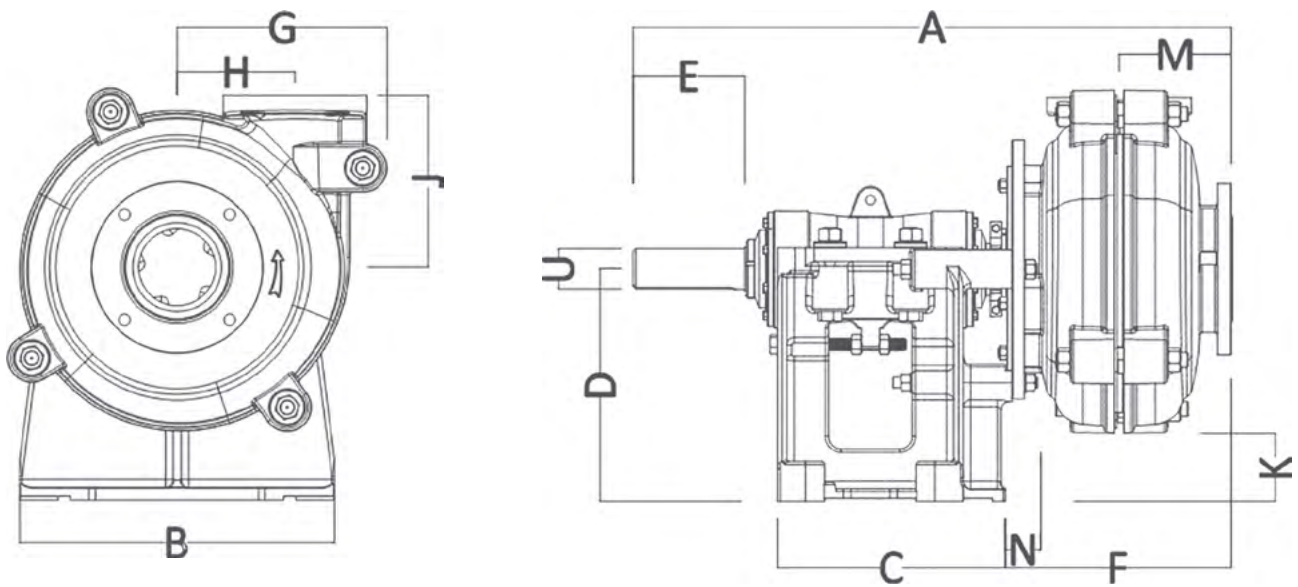
Suction	38 mm (1.5")
Discharge	25 mm (1")
Maximum RPM	3200
Sealing system	Mechanical seal
Impeller material	Rubber
Liner material	Rubber
Throat bush	N/A
Maximum motor power	15 kW
Weight-Bare shaft pump	77 kg



NOTE This information is for guidance/reference only. For application specific drawings and curves, please contact your nearest authorised distributor at slurrypro.com

Standard Series

SS1.5x1-401105



A	B	C	D	E	F	G	H
583	295	248	197	79	206	181	98

J	K	L	M	N	U	Key size
171	46	0	106	19	28	8 x 7

All values in millimetres (mm)