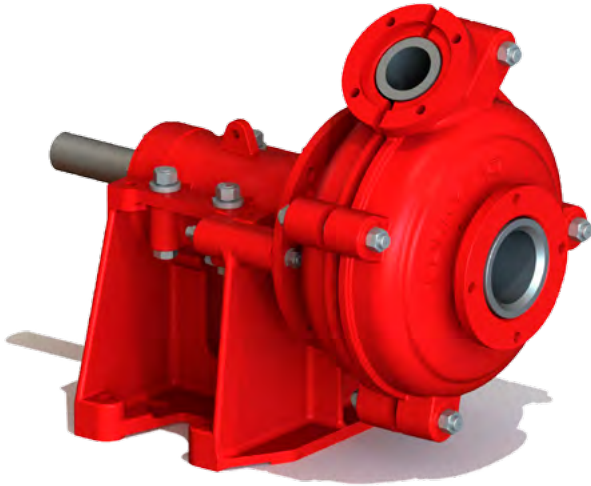
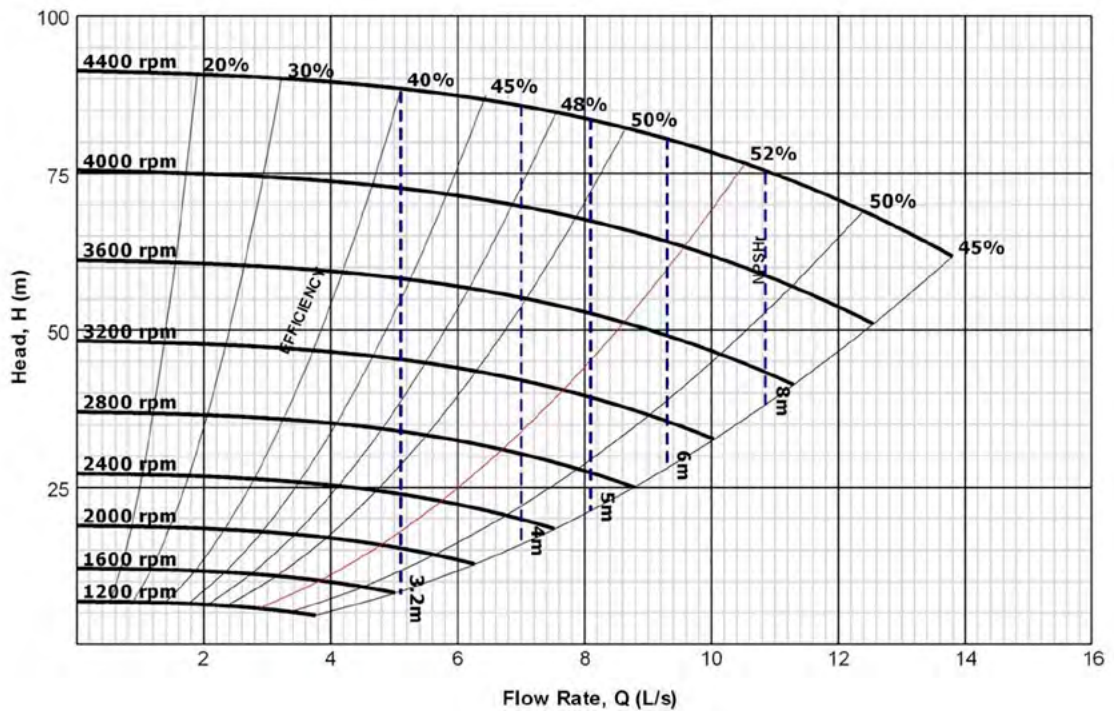


Standard Series

SS1.5x1-000005



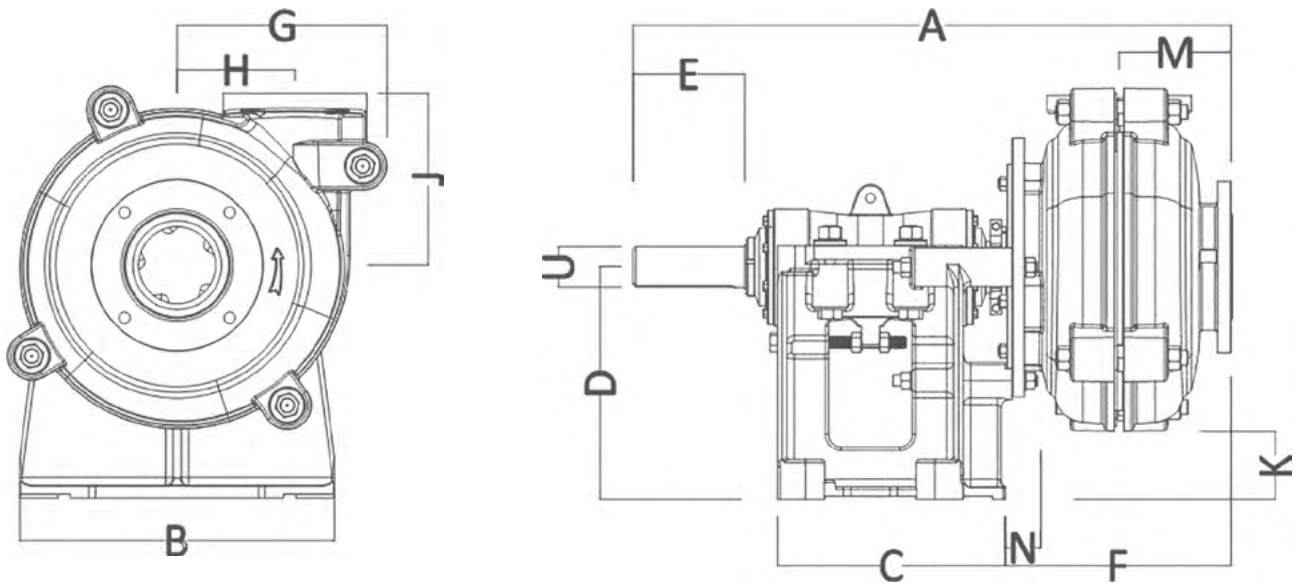
Suction	38 mm (1.5")
Discharge	25 mm (1")
Maximum RPM	4400
Sealing system	Standard gland packing
Impeller material	High chrome
Liner material	High chrome
Throat bush	N/A
Maximum motor power	15 kW
Weight-Bare shaft pump	88 kg



NOTE This information is for guidance/reference only. For application specific drawings and curves, please contact your nearest authorised distributor at slurrypro.com

Standard Series

SS1.5x1-000005



A	B	C	D	E	F	G	H
583	295	248	197	79	206	181	98
J	K	L	M	N	U	Key size	
171	46	0	106	19	28	8 x 7	

All values in millimetres (mm)