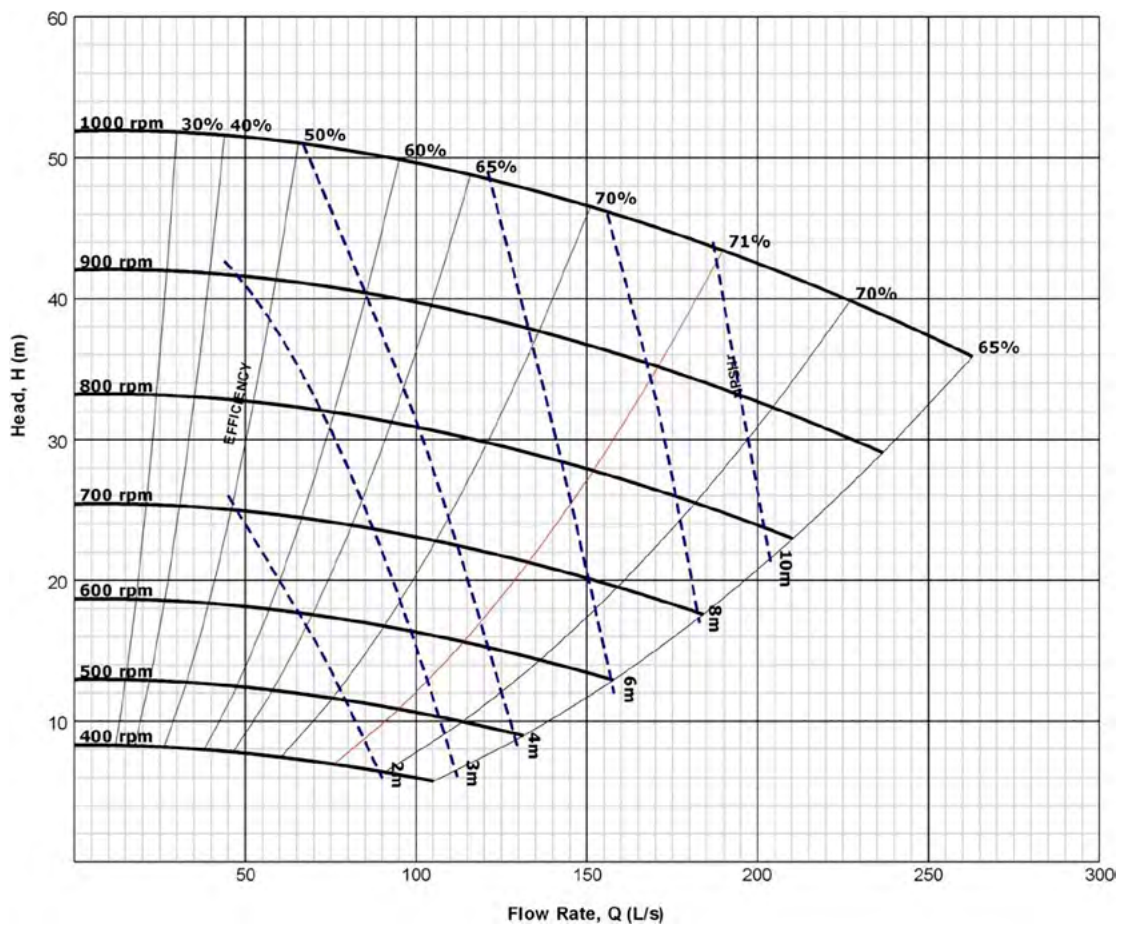


Diamond Series SD8x6-21145



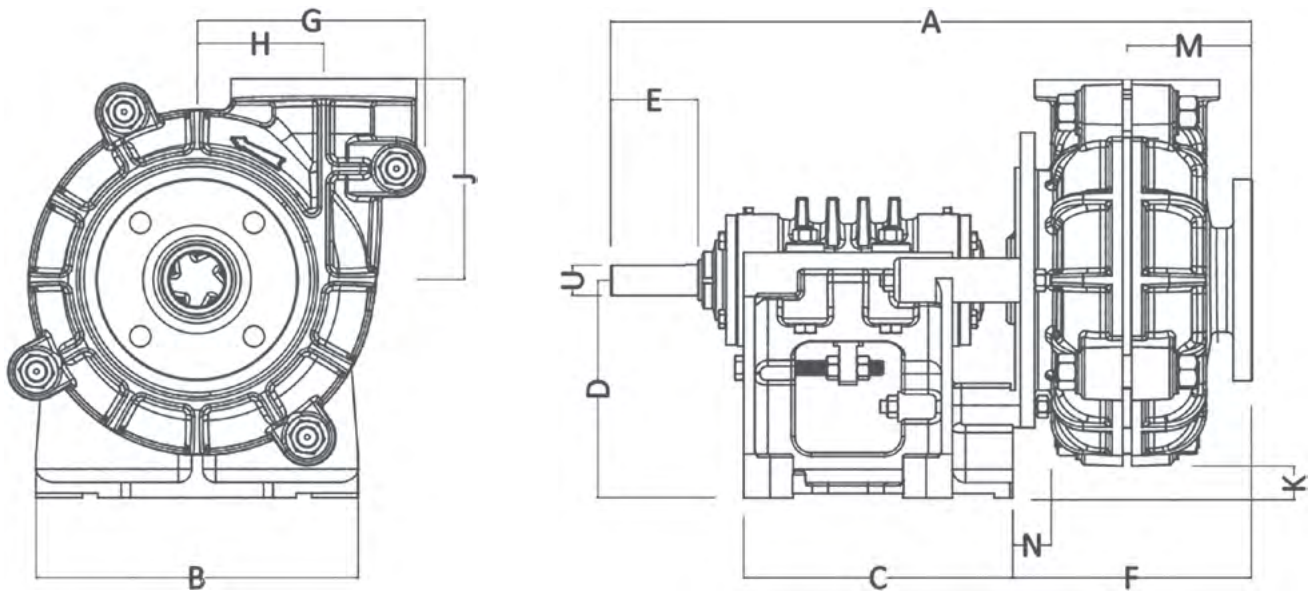
| | |
|-------------------------------|-------------|
| Suction | 203 mm (8") |
| Discharge | 152 mm (6") |
| Maximum RPM | 1000 |
| Sealing system | Expeller |
| Impeller material | Rubber |
| Liner material | Rubber |
| Throat bush | Rubber |
| Maximum motor power | 260 kW |
| Weight-Bare shaft pump | 1390 kg |



NOTE This information is for guidance/reference only. For application specific drawings and curves, please contact your nearest authorised distributor at slurrypro.com

Diamond Series

SD8x6-211145



| A | B | C | D | E | F | G | H |
|---------|-------|-----|--------|--------|--------|----------|--------|
| 1506.98 | 857 | 635 | 610.11 | 278.89 | 538.99 | 550.93 | 318.01 |
| J | K | L | M | N | U | Key size | |
| 459.99 | 89.92 | 0 | 292.1 | 65.02 | 100 | 28 x 16 | |

All values in millimetres (mm)

NOTE This information is for guidance/reference only. For application specific drawings and curves, please contact your nearest authorised distributor at slurrypro.com