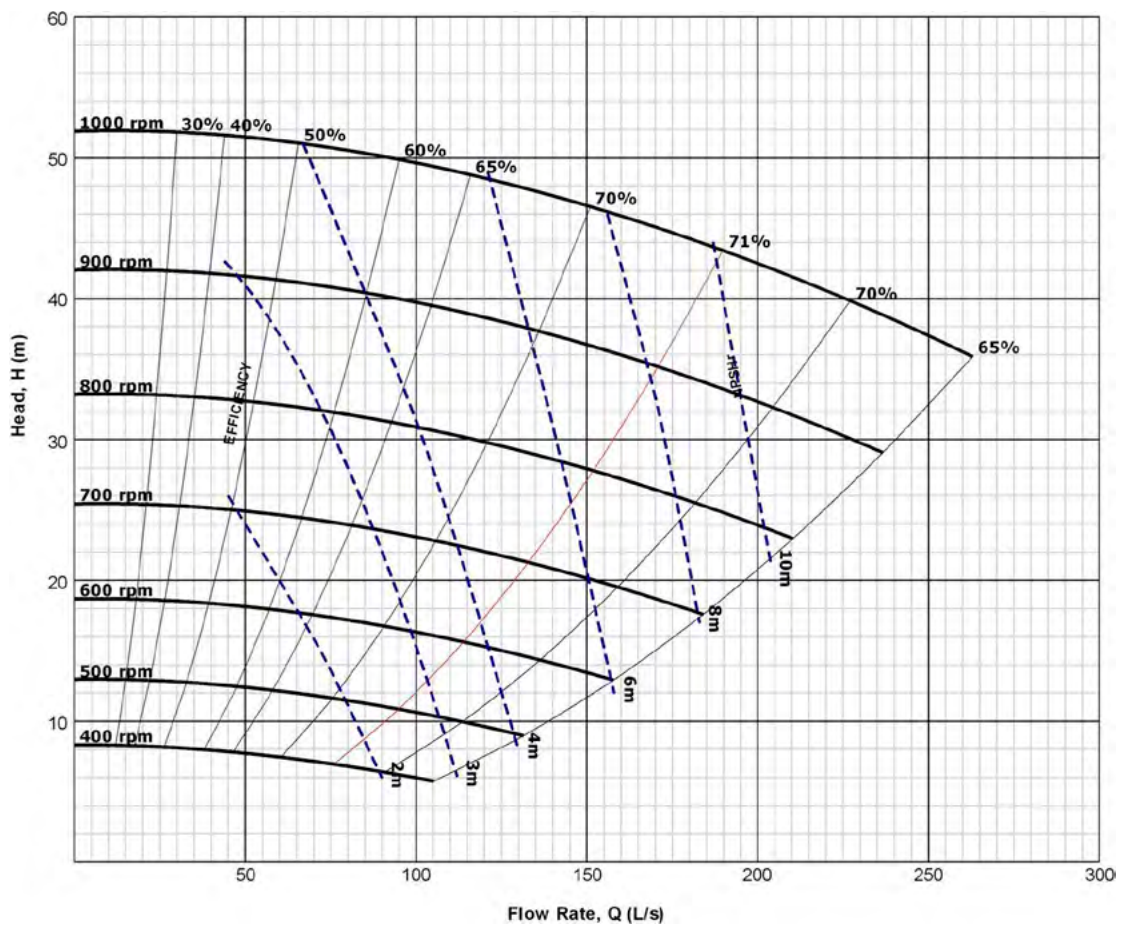


# Diamond Series

## SD8x6-011145



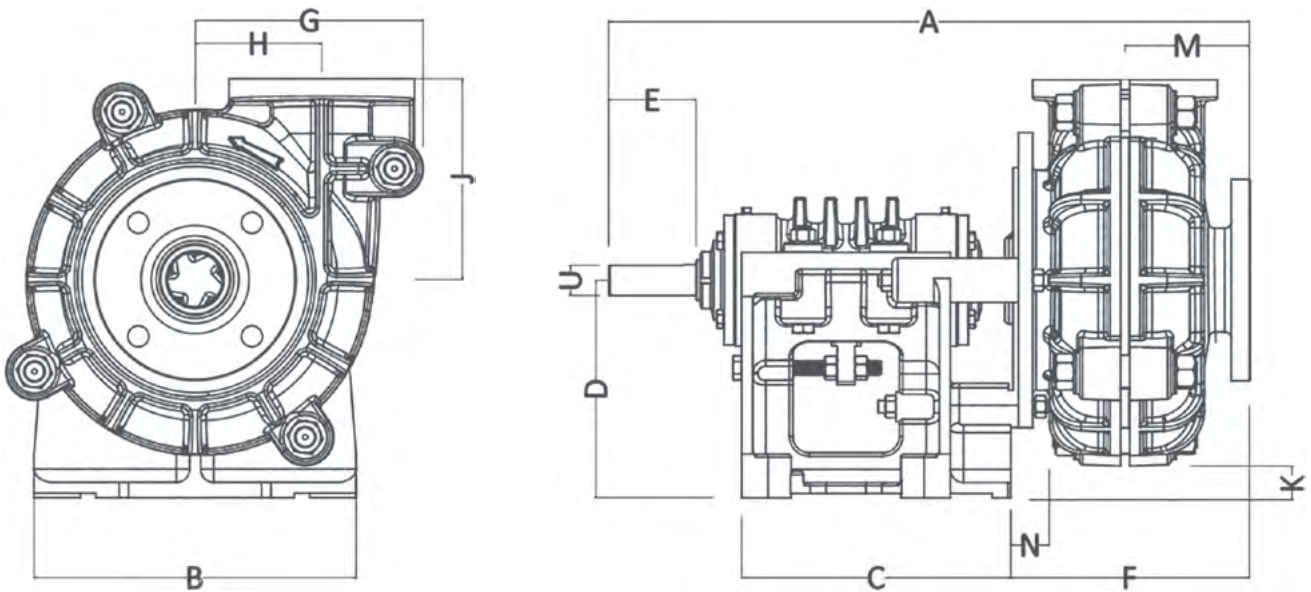
<b>Suction</b>	203 mm (8")
<b>Discharge</b>	152 mm (6")
<b>Maximum RPM</b>	1000
<b>Sealing system</b>	Standard gland packing
<b>Impeller material</b>	Rubber
<b>Liner material</b>	Rubber
<b>Throat bush</b>	Rubber
<b>Maximum motor power</b>	260 kW
<b>Weight-Bare shaft pump</b>	1390 kg



**NOTE** This information is for guidance/reference only. For application specific drawings and curves, please contact your nearest authorised distributor at [slurrypro.com](http://slurrypro.com)

## Diamond Series

### SD8x6-011145



A	B	C	D	E	F	G	H
1506.98	857	635	610.11	278.89	538.99	550.93	318.01
J	K	L	M	N	U	Key size	
459.99	89.92	0	292.1	65.02	100	28 x 16	

All values in millimetres (mm)

**NOTE** This information is for guidance/reference only. For application specific drawings and curves, please contact your nearest authorised distributor at [slurrypro.com](http://slurrypro.com)