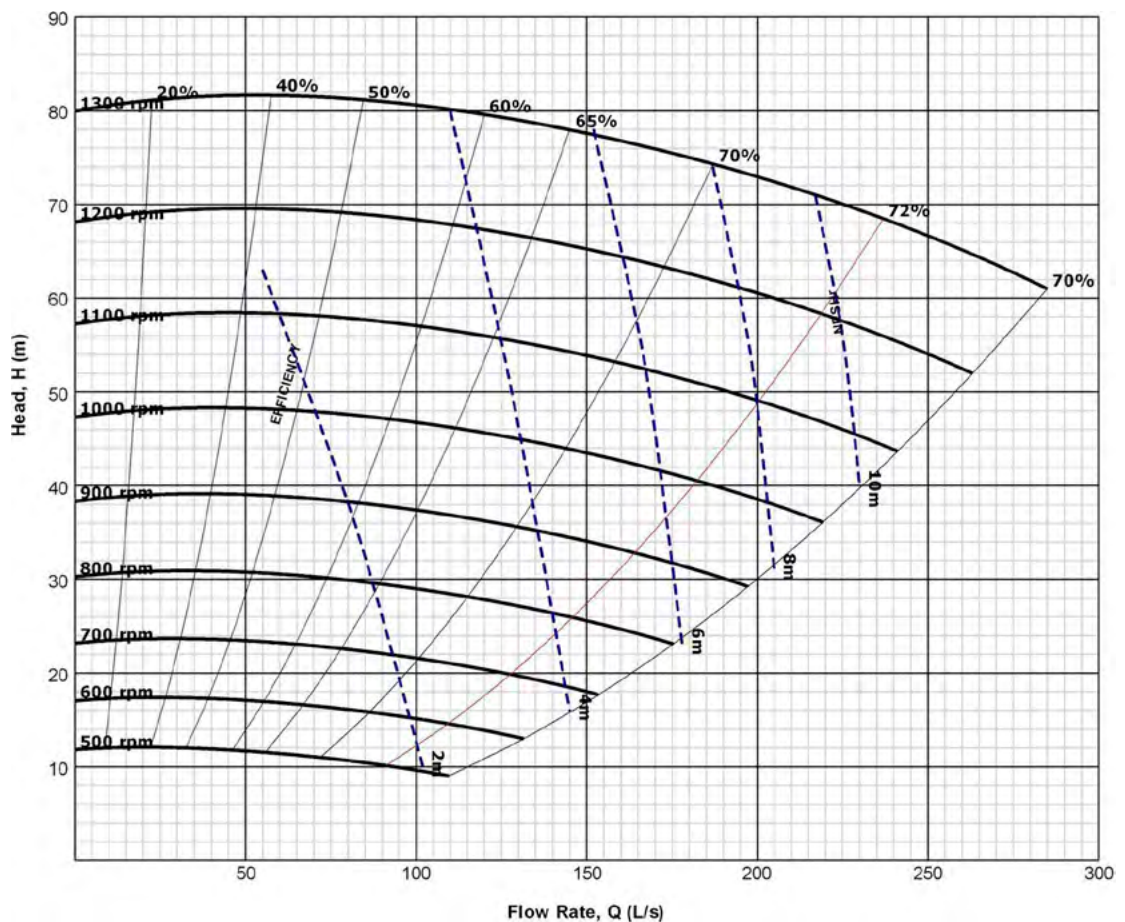


Diamond Series SD8x6-010045



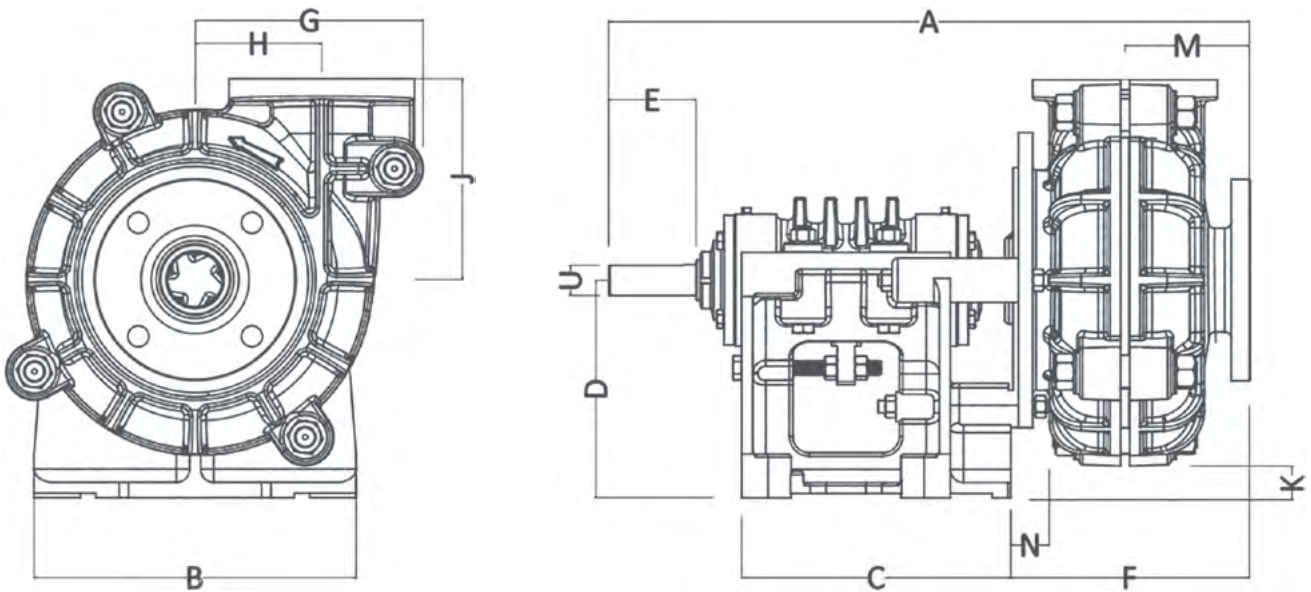
Suction	203 mm (8")
Discharge	152 mm (6")
Maximum RPM	1300
Sealing system	Standard gland packing
Impeller material	High chrome
Liner material	High chrome
Throat bush	High chrome
Maximum motor power	260 kW
Weight-Bare shaft pump	1814 kg



NOTE This information is for guidance/reference only. For application specific drawings and curves, please contact your nearest authorised distributor at slurrypro.com

Diamond Series

SD8x6-010045



A	B	C	D	E	F	G	H
1506.98	857	635	610.11	278.89	538.99	550.93	318.01

J	K	L	M	N	U	Key size
459.99	89.92	0	292.1	65.02	100	28 x 16

All values in millimetres (mm)

NOTE This information is for guidance/reference only. For application specific drawings and curves, please contact your nearest authorised distributor at slurrypro.com