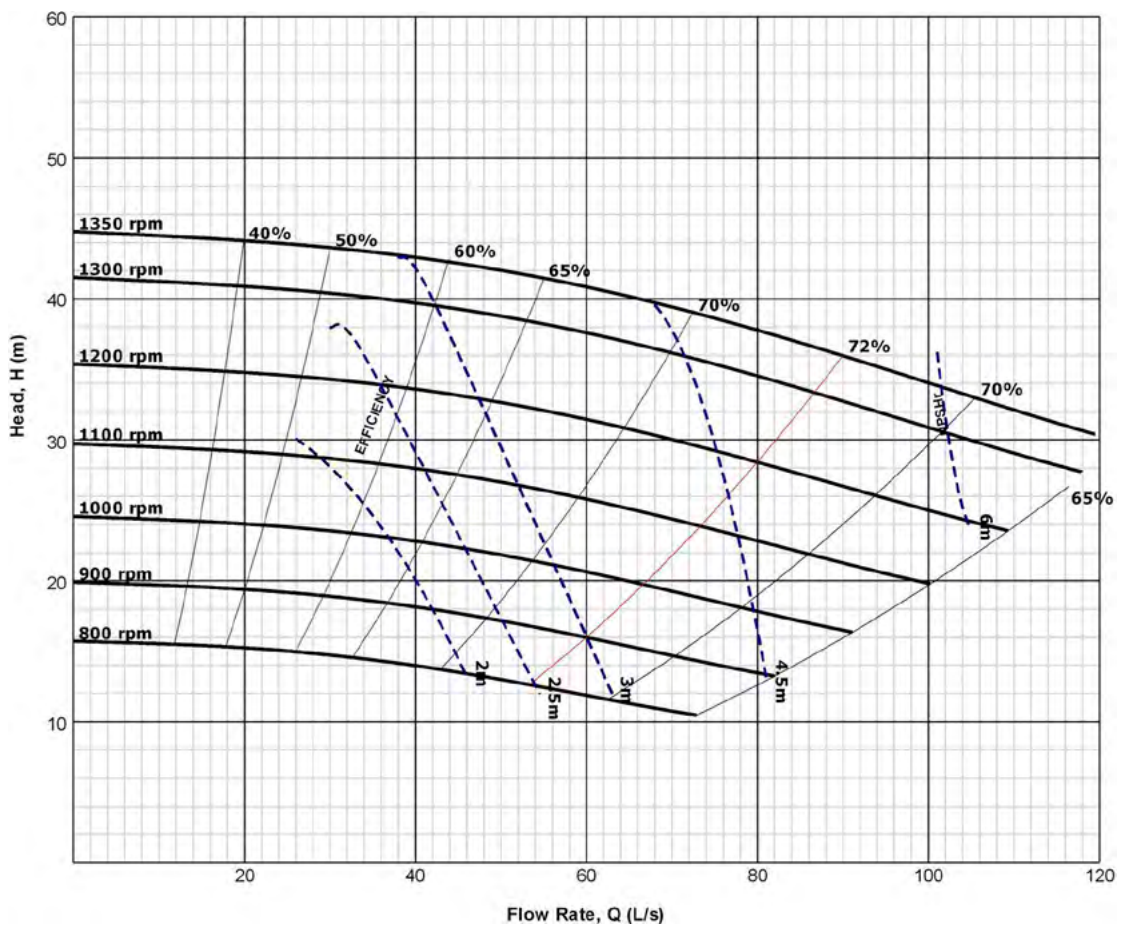


Diamond Series SD6x4-211130



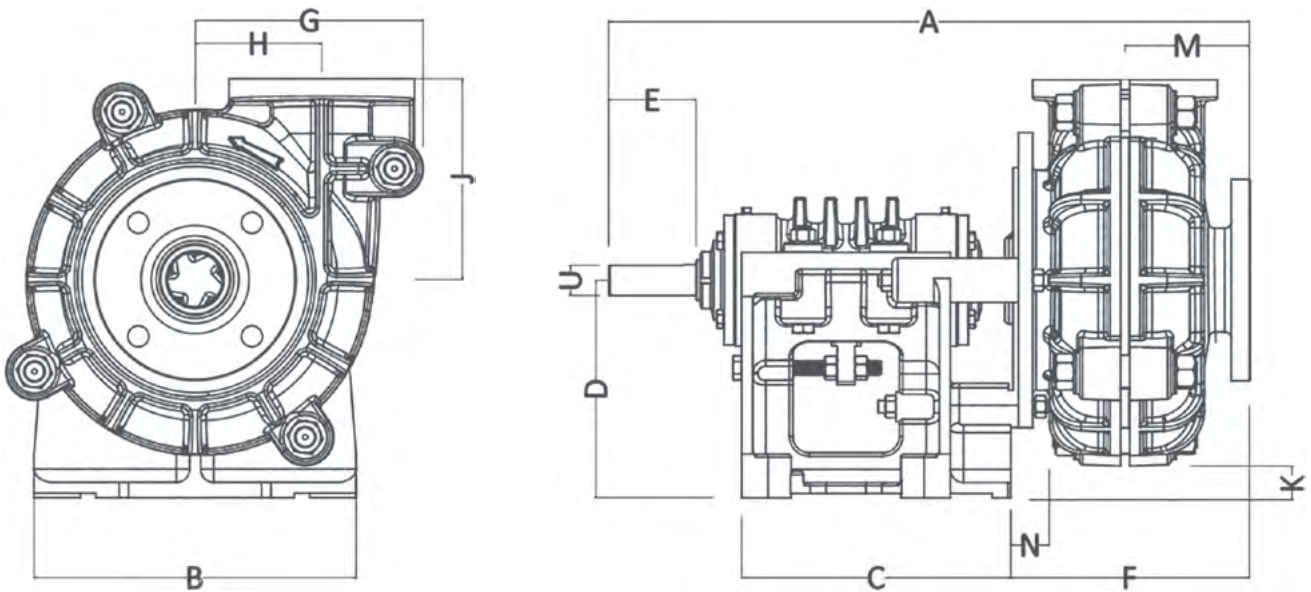
Suction	152 mm (6")
Discharge	101 mm (4")
Maximum RPM	1350
Sealing system	Expeller
Impeller material	Rubber
Liner material	Rubber
Throat bush	Rubber
Maximum motor power	120 kW
Weight-Bare shaft pump	635 kg



NOTE This information is for guidance/reference only. For application specific drawings and curves, please contact your nearest authorised distributor at slurrypro.com

Diamond Series

SD6x4-211130



A	B	C	D	E	F	G	H
1178.05	622.05	448.06	456.95	222	433.07	405.89	229.11
J	K	L	M	N	U	Key size	
338.07	137.92	0	218.95	75.18	80	22 x 14	

All values in millimetres (mm)

NOTE This information is for guidance/reference only. For application specific drawings and curves, please contact your nearest authorised distributor at slurrypro.com