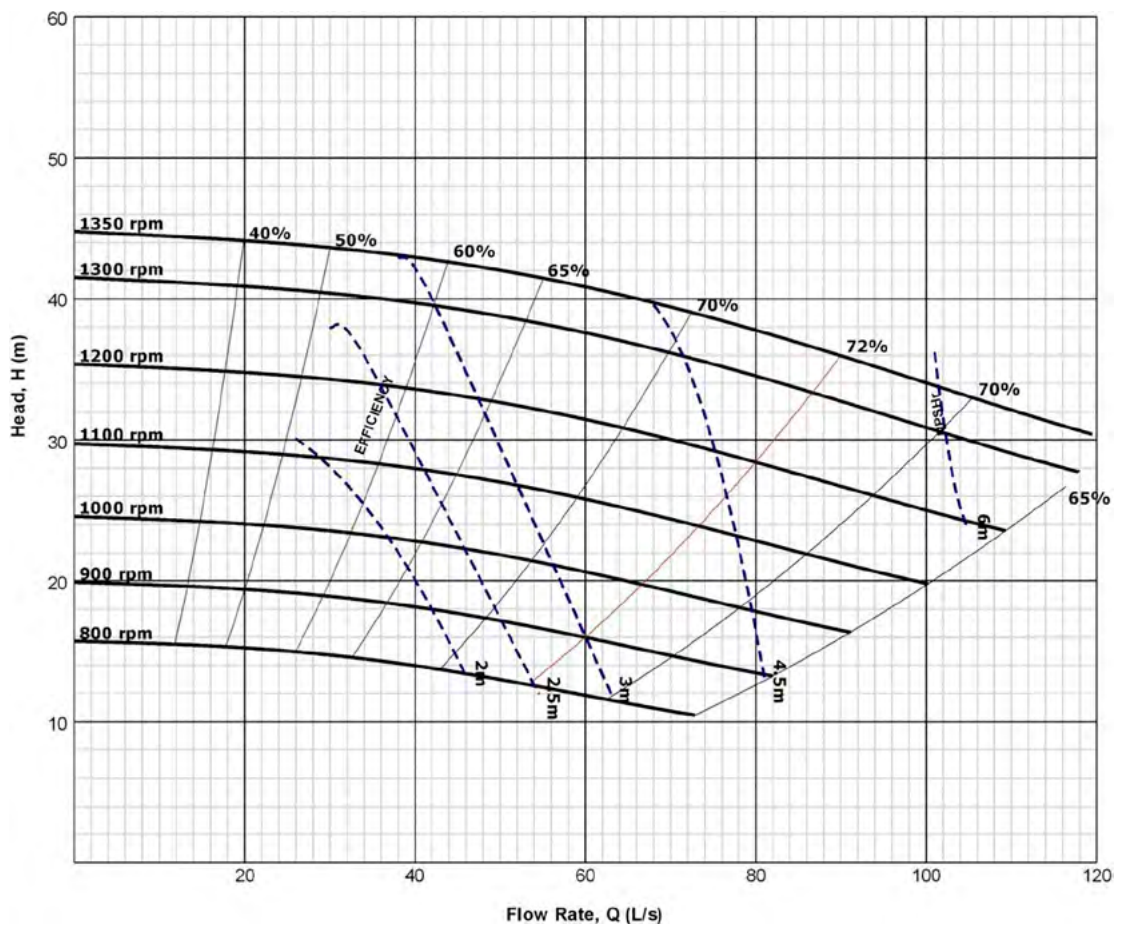


Diamond Series SD6x4-011130



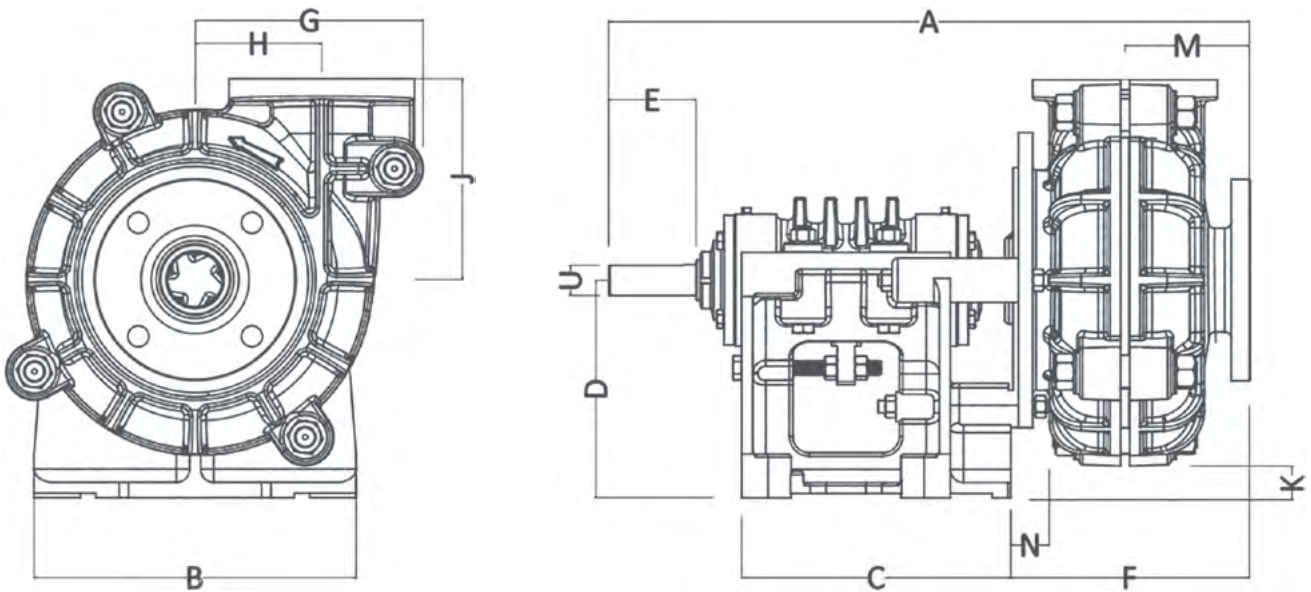
Suction	152 mm (6")
Discharge	101 mm (4")
Maximum RPM	1350
Sealing system	Standard gland packing
Impeller material	Rubber
Liner material	Rubber
Throat bush	Rubber
Maximum motor power	120 kW
Weight-Bare shaft pump	635 kg



NOTE This information is for guidance/reference only. For application specific drawings and curves, please contact your nearest authorised distributor at slurrypro.com

Diamond Series

SD6x4-011130



A	B	C	D	E	F	G	H
1178.05	622.05	448.06	456.95	222	433.07	405.89	229.11
J	K	L	M	N	U	Key size	
338.07	137.92	0	218.95	75.18	80	22 x 14	

All values in millimetres (mm)