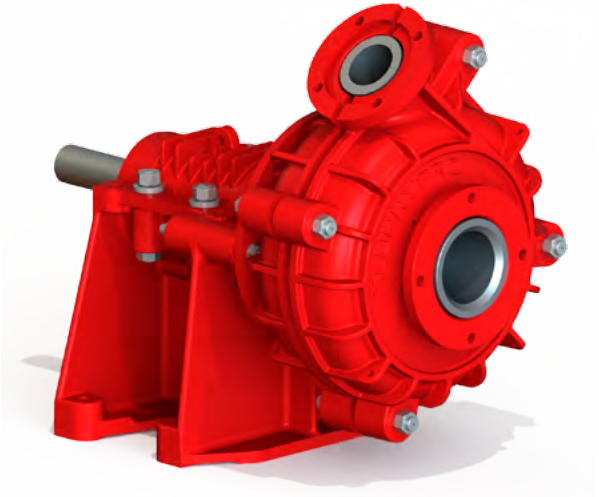
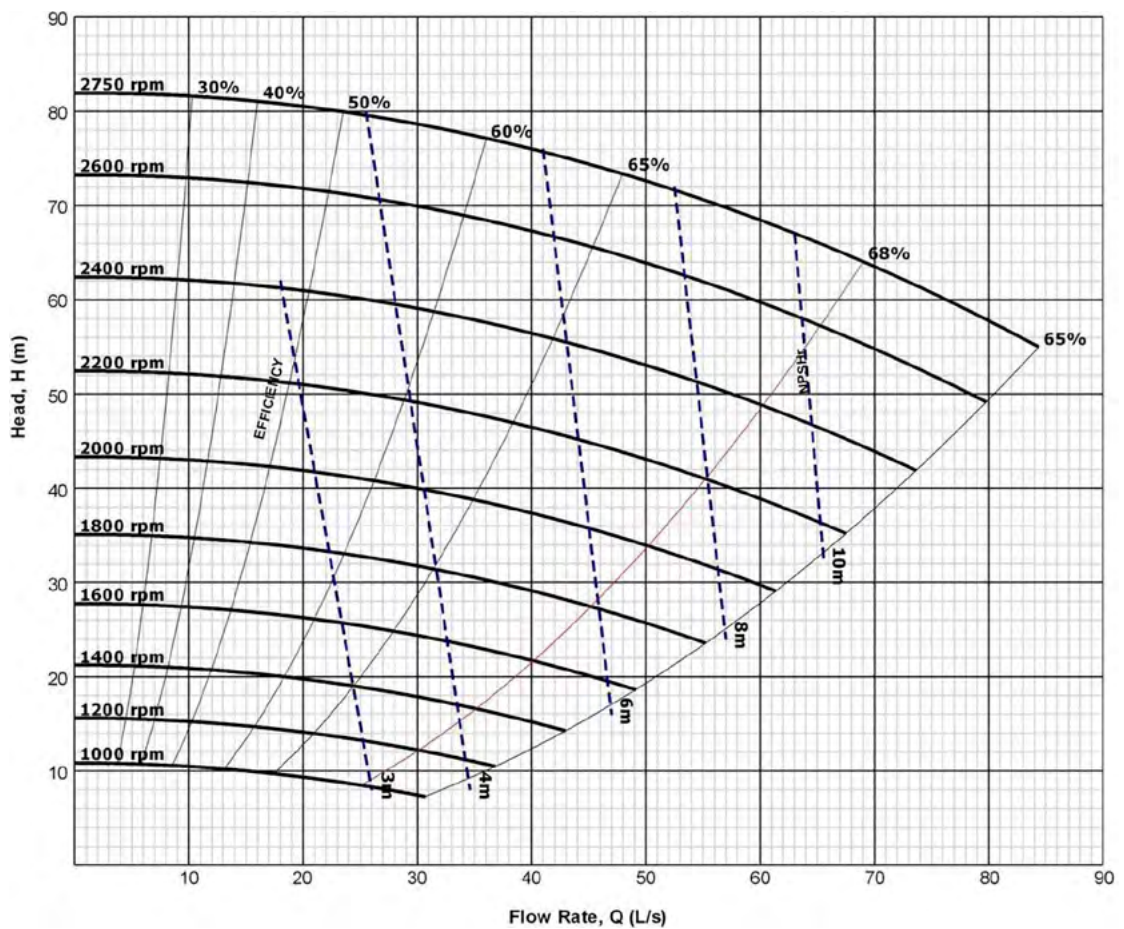


Diamond Series SD4x3-210020



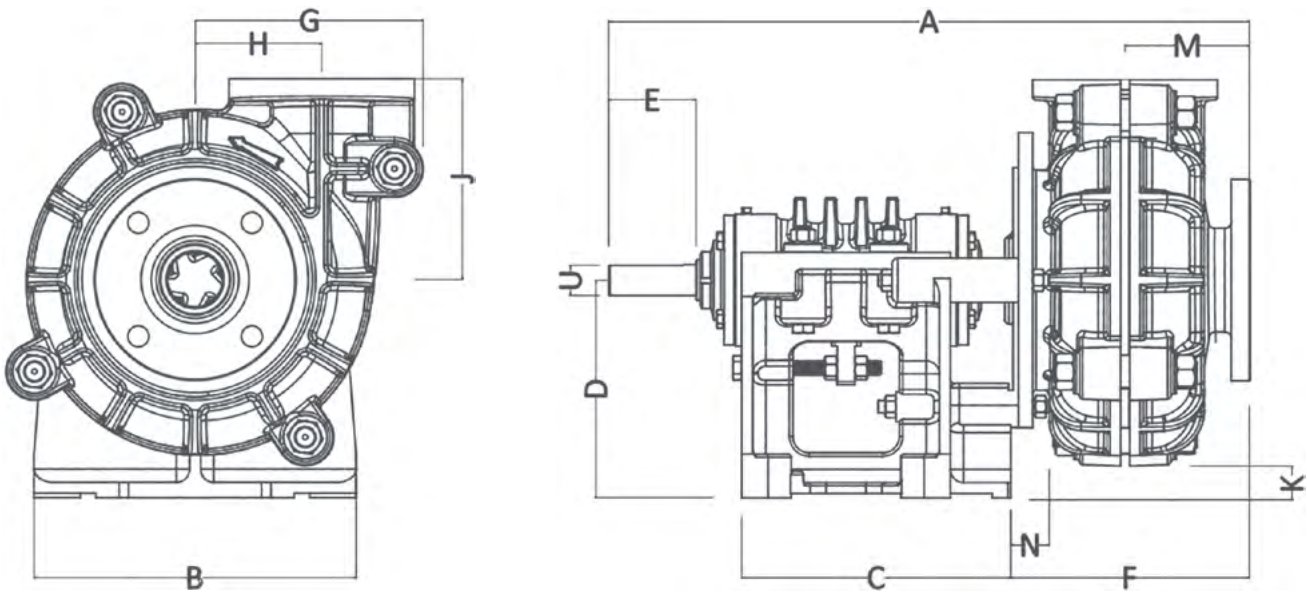
Suction	101 mm (4")
Discharge	76 mm (3")
Maximum RPM	2750
Sealing system	Expeller
Impeller material	High chrome
Liner material	High chrome
Throat bush	N/A
Maximum motor power	60 kW
Weight-Bare shaft pump	317 kg



NOTE This information is for guidance/reference only. For application specific drawings and curves, please contact your nearest authorised distributor at slurrypro.com

Diamond Series

SD4x3-210020



A	B	C	D	E	F	G	H
943.1	492	363.98	329.95	164.08	353.06	292.1	149.1

J	K	L	M	N	U	Key size
261.87	100.08	0	186.94	51.82	65	18 x 11

All values in millimetres (mm)

NOTE This information is for guidance/reference only. For application specific drawings and curves, please contact your nearest authorised distributor at slurrypro.com