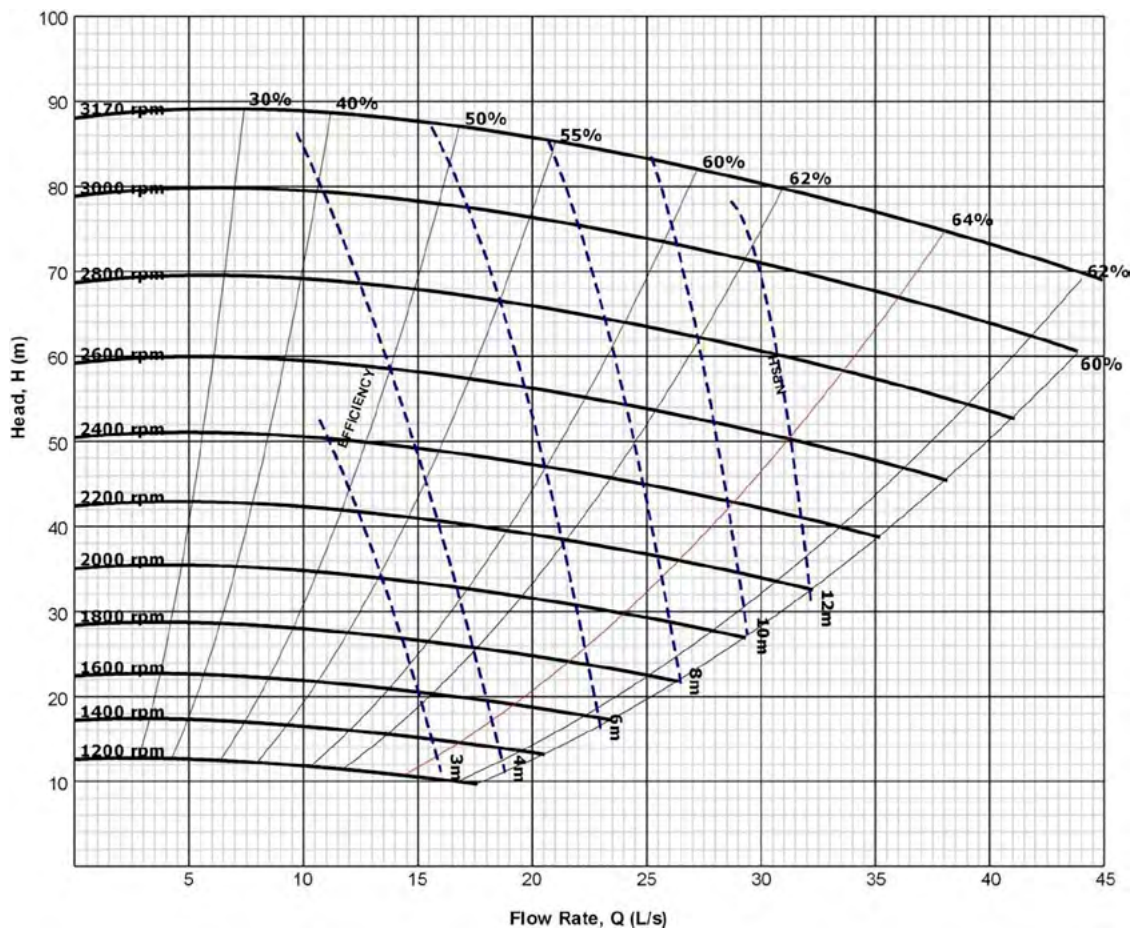


Diamond Series SD3x2-210010



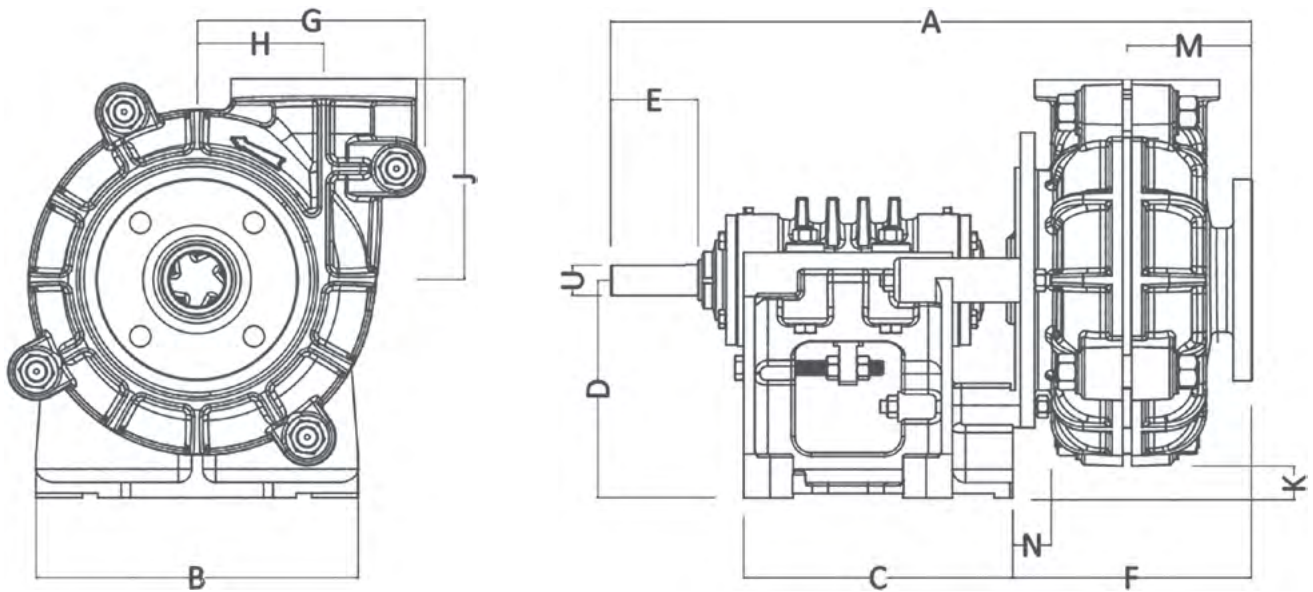
Suction	76.2 mm (3")
Discharge	50.8 mm (2")
Maximum RPM	3170
Sealing system	Expeller
Impeller material	High chrome
Liner material	High chrome
Throat bush	High chrome
Maximum motor power	30 kW
Weight-Bare shaft pump	197 kg



NOTE This information is for guidance/reference only. For application specific drawings and curves, please contact your nearest authorised distributor at slurrypro.com

Diamond Series

SD3x2-210010



A	B	C	D	E	F	G	H
768.1	405.89	310.9	254	120.9	279.91	238	137.92

J	K	L	M	N	U	Key size
210.06	71.37	0	150.88	39.62	42	12 x 8

All values in millimetres (mm)

NOTE This information is for guidance/reference only. For application specific drawings and curves, please contact your nearest authorised distributor at slurrypro.com