

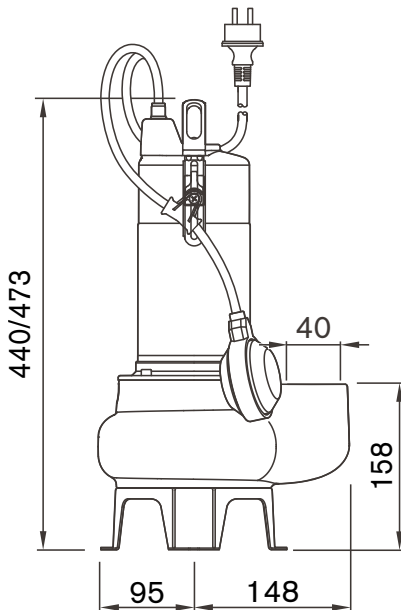
Ideal for pumping effluent, stormwater run-off and contaminated drainage water in light commercial applications, particularly where there is the likelihood of solids or stringy material.



Technical data

Model GPV	40-75	40-110
Outlet (mm)	40 BSP	
Max flow rate (L/s)	6.6	8.3
Max head (m)	10	13.5
Max liquid temp (°C)	40	
Ø Solids (mm)	40	
Power (kW)	0.75	1.1
Current (A)	4.8	6.9
Voltage (V)	240	
Speed (RPM)	2900	
Casing	Epoxy electro coated cast iron	
Impeller	Stainless vortex	
Motor housing	Stainless steel	
Protection	IP68	
Cable details	10 m length, H07RN-F	
Mounting	Free-standing only	
Weight (kg)	15.2	18.0

Dimensions (all measurements mm)



Performance curve

