

VERDERFLEX

Dura 65



Description

Verderflex Dura 65 Peristaltic Hose Pump is designed for applications such as Metering, Dosing, and Transfer duties (strong advantages on sludges, slurries, and abrasives).

Your benefits

- Class leading performance of up to 33 m³/hr, and pressures of up to 16 bar.
- Minimised downtime and reduced cost of ownership with in-situ hose change/simplified spare holding requirement.
- Self-priming (capable of a suction lift of 9.5 mwc), dry running, low shear design ideal for abrasive/solid slurries.
- With the peristaltic advantages of seal less, and valve less pumping operation with directly proportional flow stability and repeatability.

Technical data

Max. flow rate	33 m ³ /h
Max. pump speed	80 RPM
Max. discharge pressure	16 bar
Max. suction lift	9.5 mWc
Max. motor power	18.5 kW

Max. temperature of medium	100 °C ¹⁾
Hose ID	65 mm
Bareshaft Weight	479 kg ²⁾
Max. Incompressible Solid Size	6.5 mm
Max. Compressible Solid Size	16.25 mm

¹⁾ Conditions in hose material may apply.

²⁾ 580 to 720 kg, depending on the Standard Gearbox and Motor Fitted.

Materials

Description	Materials	Paint Detail
Pump Housing	SG Iron	Green Powder Coated
Front Cover	Steel	Grey Powder Coated
Window	Plexyglass	
Rotor	SG Iron	Green Powder Coated
Rotor Shoes	Cast Aluminium Optional Material: Stainless Steel	
Bearing Housing	SG Iron	Green Powder Coated
Front/Rear Bearing	Deep Groove Ball Race	
Drive Coupling	SG Iron	Green Powder Coated
Shaft Seals	FKM	
Mounting Frame	Steel	Grey Powder Coated
Hose Options	Natural Rubber (NR) Options: Nitrile Buna Rubber (NBR), Ethylene Propylene Diene Monomer (EPDM), Food Grade Nitrile Buna (NBRF), and Hypalon® (CSM)	
Port Flange	CF-8M (316) Stainless Steel Universal slotted design fits with DIN PN16 DN 65, ANSI 150# 2½" & JIS10K Options: 316 Stainless Steel with Polypropylene or P.V.D.F Insert ³⁾ , DIN11851 Hygienic, DIN32676 Tri-clamp	
Lubricant Options	Verderlube - Glycerine based lubricant ⁴⁾ Verdersil - Silicone based lubricant ⁵⁾	

³⁾ Temperature Limit for PP insert is 40°C and for PVDF insert is 80°C.

⁴⁾ Temperature Limit for Verderlube is 50°C.

⁵⁾ Suitable for application above 50°C, but subject to maximum temperature limit of the hose and applications involving strong oxidising agents and nitrogenous compounds.

VERDERFLEX

Dura 65



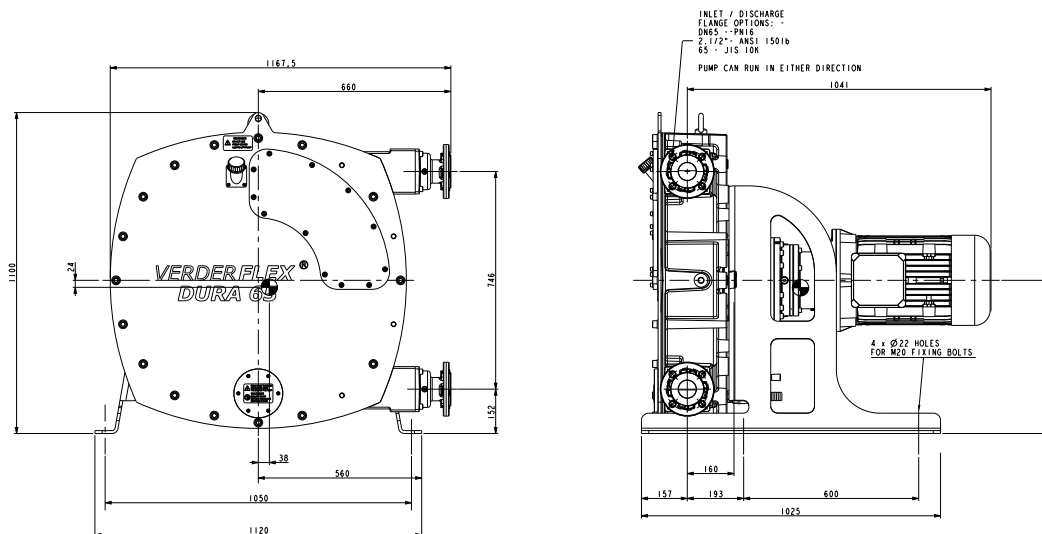
Options and accessories

- Optional FDA CFR21, and EC/1935: optional ATEX.
- Rotor fully supported by casing bearing.
- Ball valve on drain port.
- Angled metal filling port for lubricant.
- Service access port on bottom of front cover.
- Lifting point for front cover.
- Lubricant level gauge (optional).

Preferred Pump Options Fitted With Planetary Gearbox, Suitable for Inverter Duty 50Hz Motor

Flow Rate m ³ /hr	Pump Speed RPM	Installed Motor Power kW	IEC Frame Size	Maximum Pressure (Bar) with installed motor	Pump Operation
7	18	7.5	132	16	Continuous Operation
12	33	9.2	160	10	Continuous Operation
13	32	15	160	16	Intermittant Operation
18	45	11	160	6	Continuous Operation
20	50	7.5	132	0	Continuous Operation
21	52	15	160	10	Intermittant Operation
24	60	15	160	6	Intermittant Operation
33	80	9.2	160	0	Intermittant Operation

Other flow rates and discharge pressures are available on request.

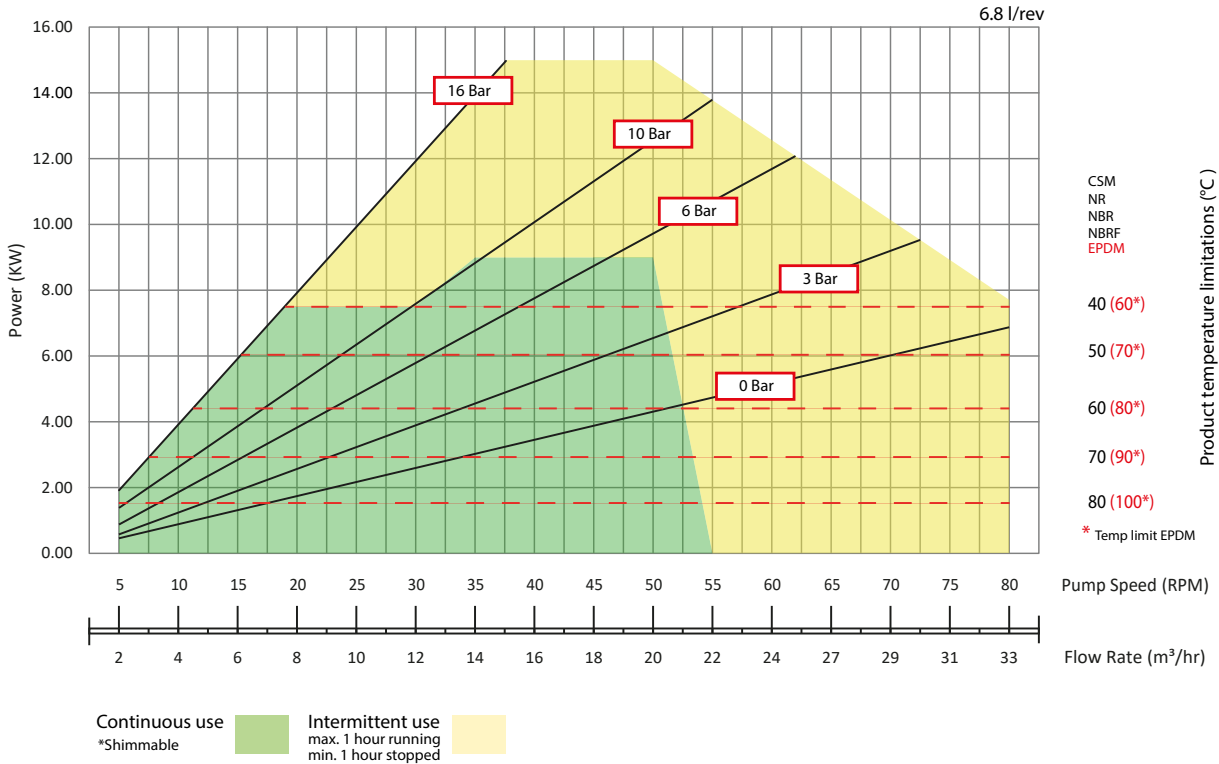


All dimensions are in mm.
All dimensions and weights are for guidance only.
Add dimensions of plan view to the above drawings.

VERDERFLEX

Dura 65

Performance Curve



Flows are typical and were measured with water at 20°C with 1 metre suction lift. Actual flows will vary according to suction conditions, discharge pressure and normal component production tolerances.

Trademarks

VERDERFLEX® is a registered trademark of Verder International B.V. No permission is granted to use any Verder, trademarks or trade names included in this document without the prior written agreement of Verder International B.V.

Tri-clamp® is a registered trademark of Alfa Laval Corporate AB.

Hypalon® is a registered trademark of RSCC Wire & Cable LLC.

© Verder International B.V

Find your local supplier at www.verderflex.com

For construction, installation and floor mounting drawings please contact your local authorised Verderflex® distributor.

VERDER
passion for pumps

